



**20**  
years of experience



**2000**  
windows per day



**250+**  
employees



Mustamäe tee 5  
10616 Tallinn



+372 5645 7343 (EST, ENG)  
+372 5558 4484 (RUS)



info@klaas24.ee



@klaas24

WOODEN  
**WINDOWS Catalogue**

## Home is a very important place in everyone's life.

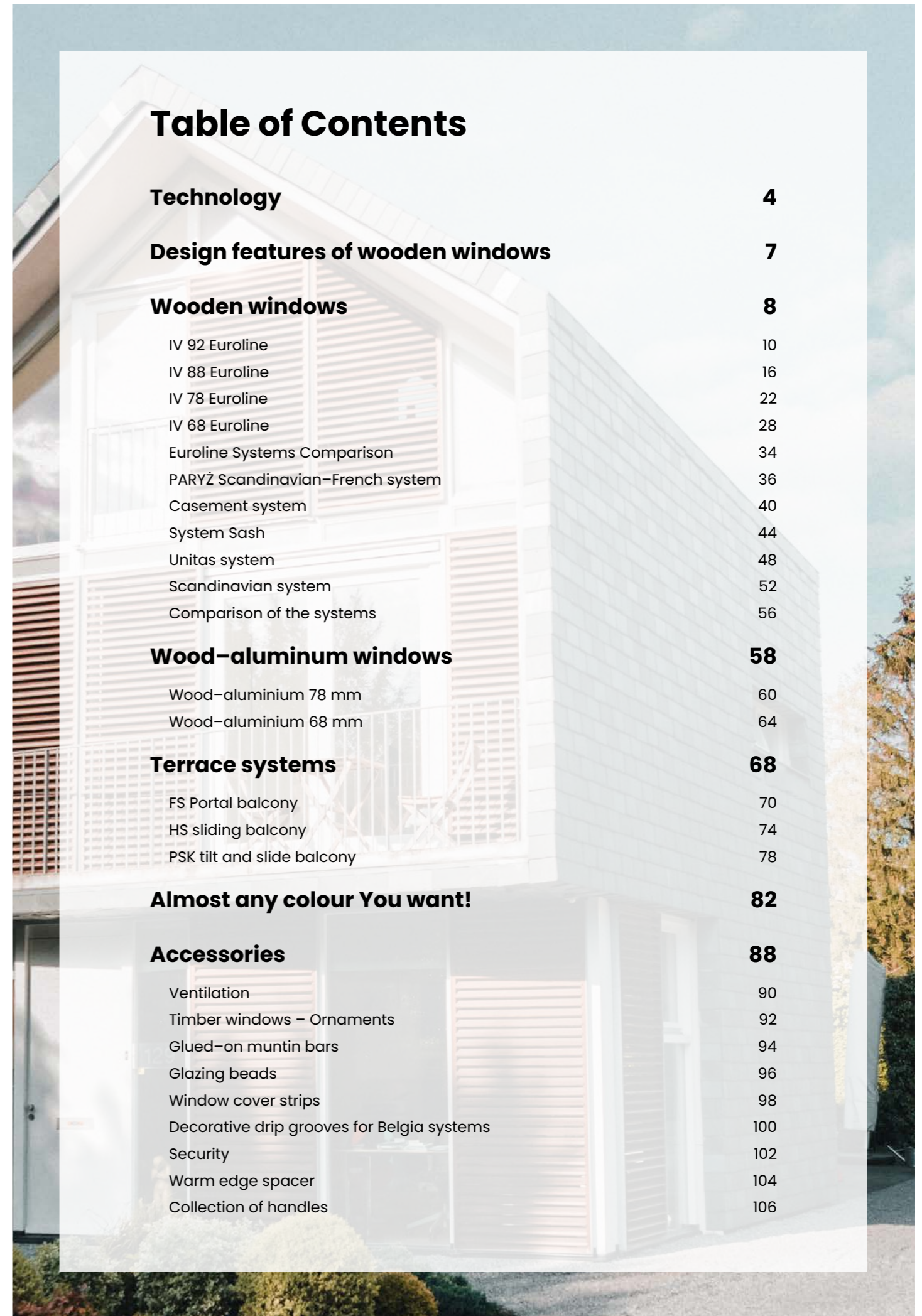
That is why we make every effort to ensure that the quality of our windows satisfies the most demanding tastes.

We want your home to gain a unique glow and charm thanks to our windows and that it will always be warm and elegant.



## Table of Contents

<b>Technology</b>	<b>4</b>
<b>Design features of wooden windows</b>	<b>7</b>
<b>Wooden windows</b>	<b>8</b>
IV 92 Euroline	10
IV 88 Euroline	16
IV 78 Euroline	22
IV 68 Euroline	28
Euroline Systems Comparison	34
PARYŽ Scandinavian–French system	36
Casement system	40
System Sash	44
Unitas system	48
Scandinavian system	52
Comparison of the systems	56
<b>Wood–aluminum windows</b>	<b>58</b>
Wood–aluminium 78 mm	60
Wood–aluminium 68 mm	64
<b>Terrace systems</b>	<b>68</b>
FS Portal balcony	70
HS sliding balcony	74
PSK tilt and slide balcony	78
<b>Almost any colour You want!</b>	<b>82</b>
<b>Accessories</b>	<b>88</b>
Ventilation	90
Timber windows – Ornaments	92
Glued–on muntin bars	94
Glazing beads	96
Window cover strips	98
Decorative drip grooves for Belgia systems	100
Security	102
Warm edge spacer	104
Collection of handles	106



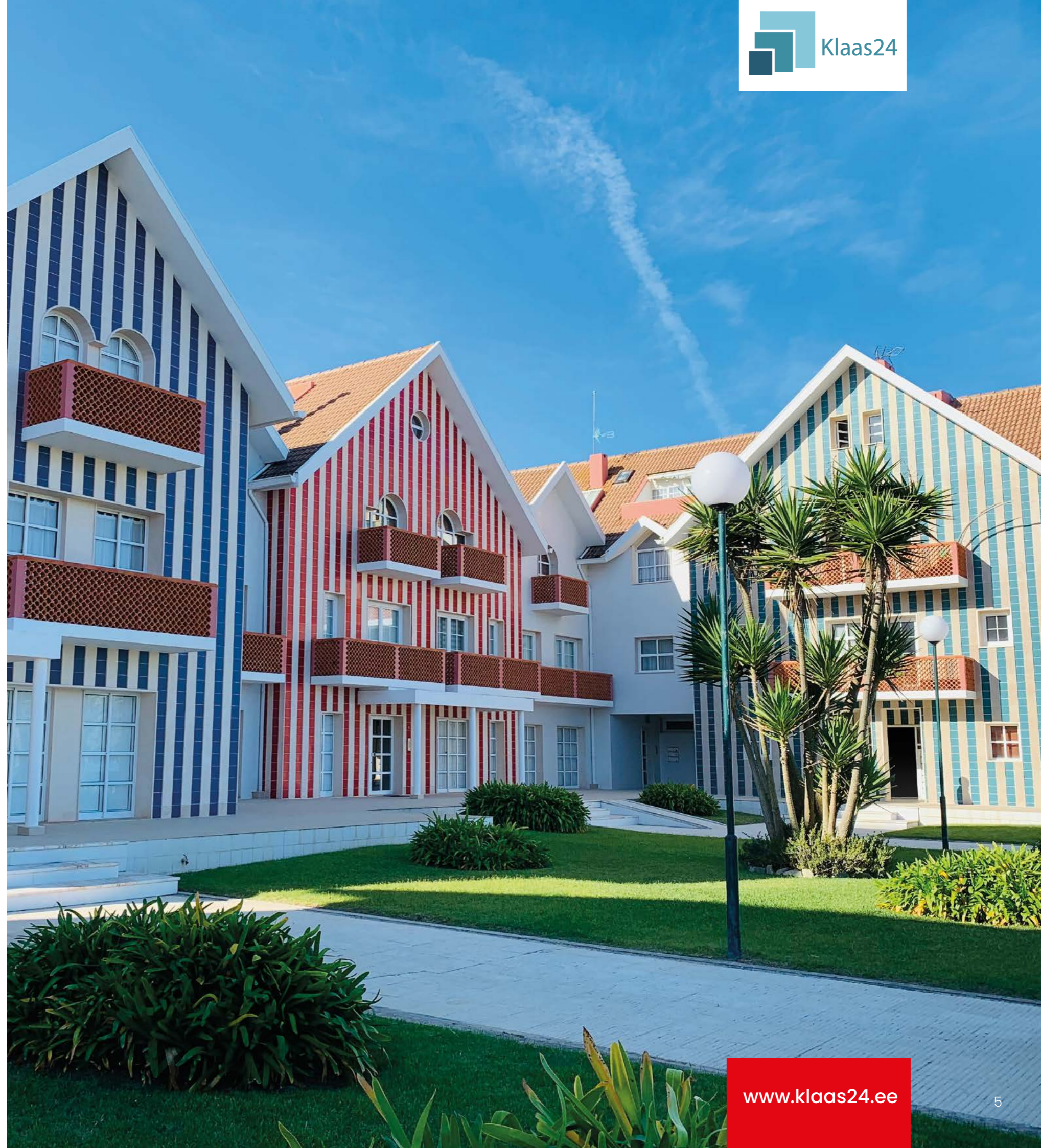
# TECHNOLOGY

**Our windows are made of pine, oak, larch and exotic mahogany – meranti.**

The manufacturing methods we use for our timber profiles require very careful preparation of the materials, which have to be dried really well.

Only 100% automation can guarantee the correct completion of this process.

Square timber is glued from slats to prevent the profiles from warping in the future. The finished windows are impregnated and covered with a finish paint coat for long durability.





## Design features of wooden windows

1. Possibility to install a triple-glazed unit, providing excellent thermal and acoustic insulation.
2. Three gaskets after contact with each other, create two air chambers, additionally insulating the room. At the same time, they allow the slow exchange of pre-heated air.
3. Thermo-drip caps protect the window frame against moisture from the outside. They drain rainwater outside the window frames, thus protecting the entire structure against moisture.
4. The structure is made of 3- or 4-layer glued wood.

# Wooden windows



## IV 92 Euroline



92 mm



Rw = 32dB



Uw = 0,77 W/m<sup>2</sup>K



**Euroline 92 windows** have the largest frame depth and offer the best performance.

The wide profile of the frame ensures excellent thermal and acoustic performance.

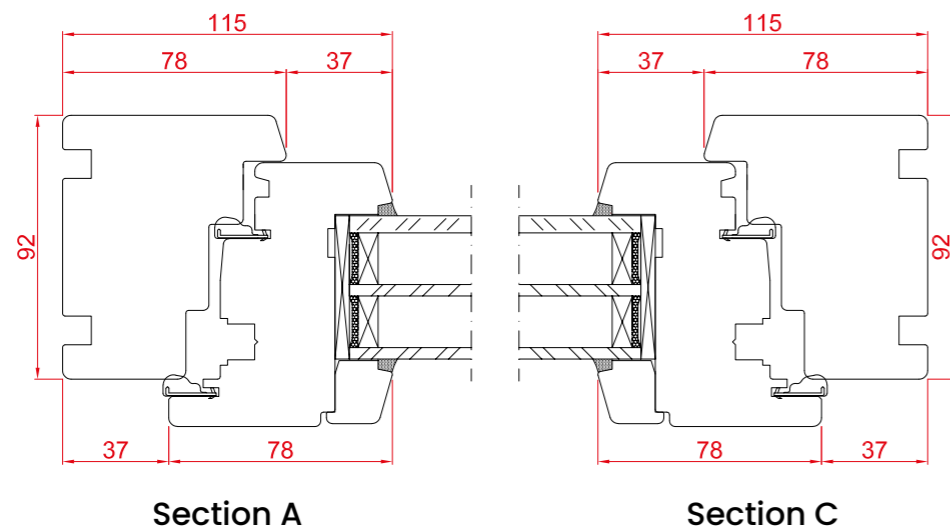
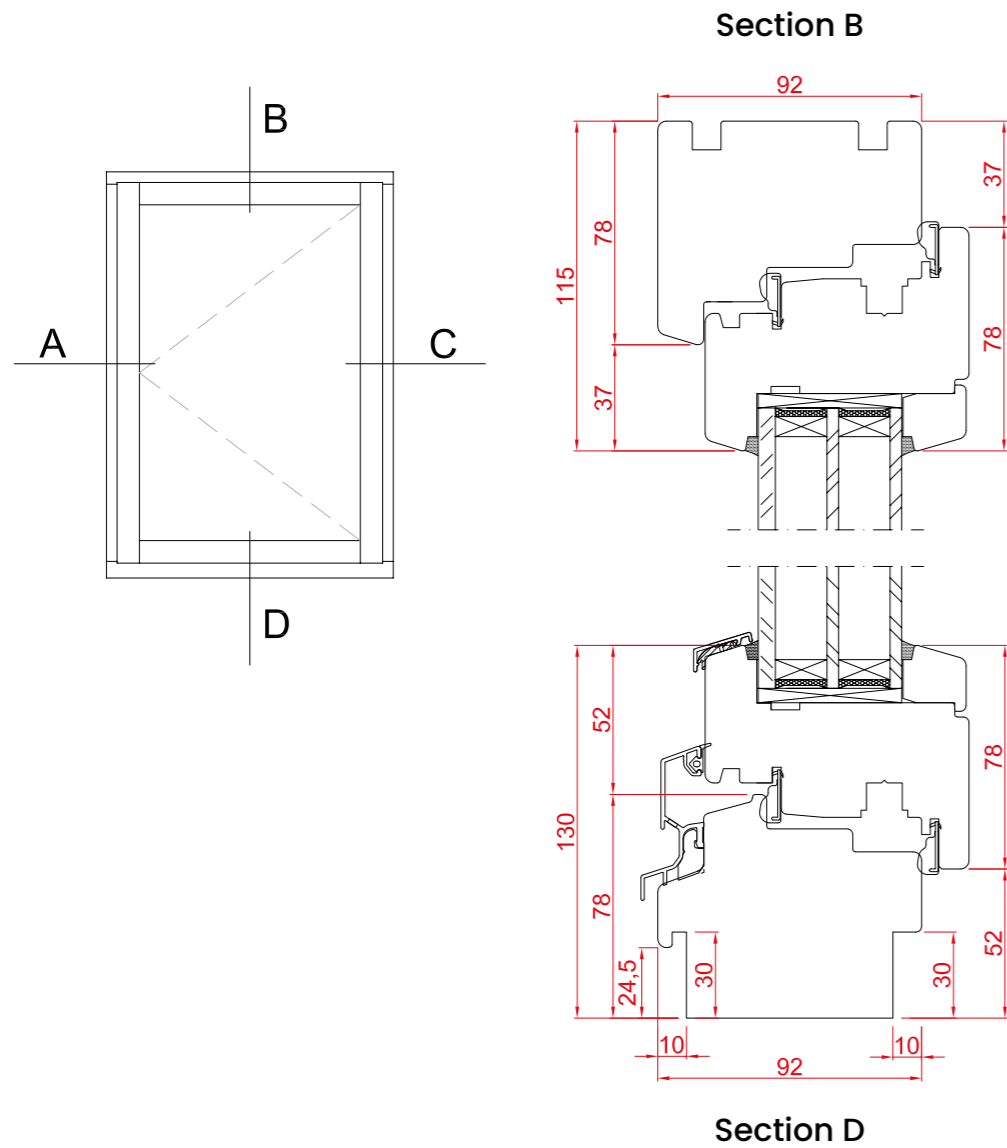


The standard version includes a triple-glazed unit with heat transfer coefficient  $U_g = 0,5 \text{ W/m}^2\text{K}$ .



The windows can be made of finger-jointed pine, solid pine, meranti, oak and Siberian larch.

**System IV 92 Euroline**



- ✓ MACO MULTI-MATIC fittings are equipped with a blockade of the incorrect position of the handle, micro-ventilation and sash lift.
- ✓ The glazing thickness ranges from 48 mm to 54 mm.

# Available versions of the IV 92 Euroline system



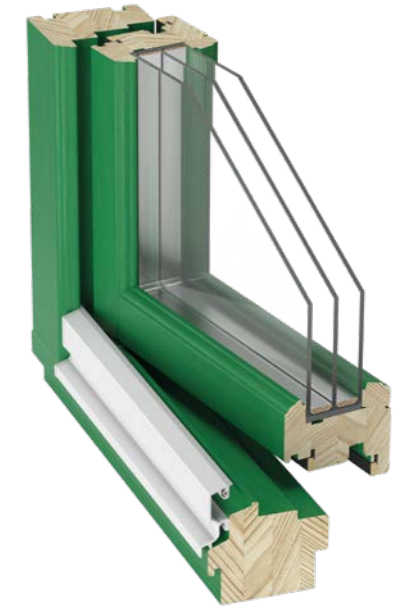
IV 92 Euroline



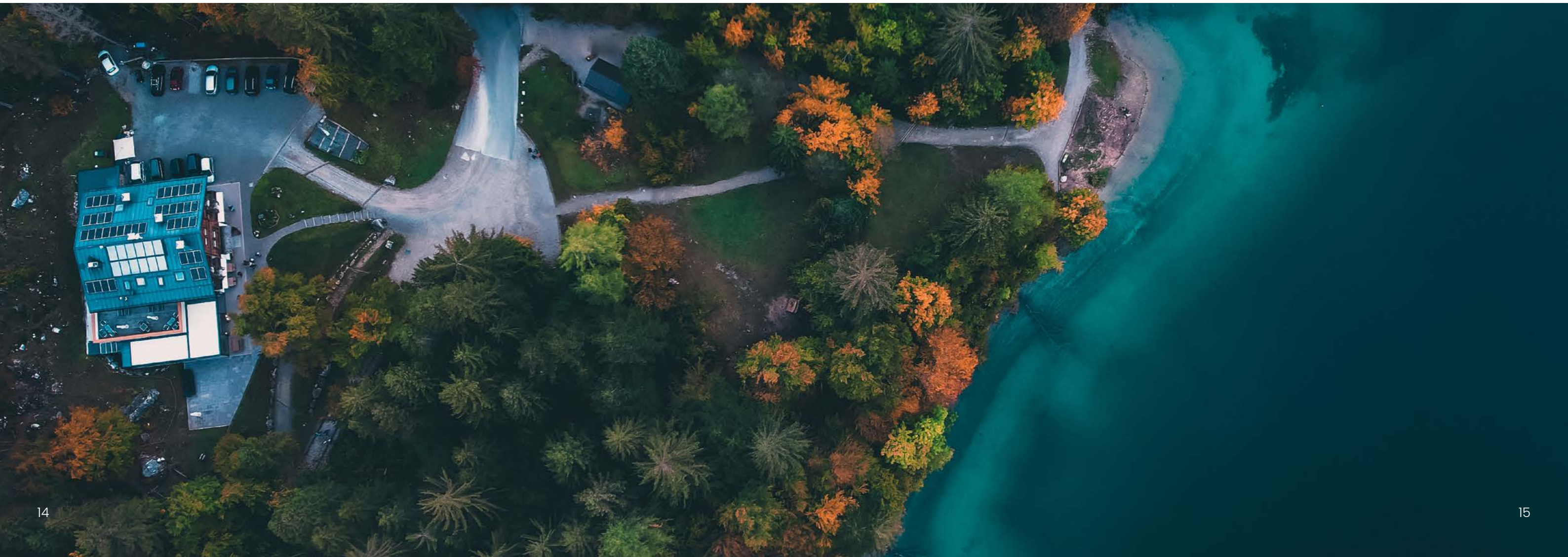
IV 92 Euroline Soft



IV 92 Euroline Belgia



IV 92 Euroline Retro





## IV 88 Euroline



88 mm



$R_w = 32\text{dB}$



$U_w = 0,78\text{ W/m}^2\text{K}$



**Euroline 88 windows** have profiles made of natural materials. The lower heat transfer coefficient also provides additional savings.

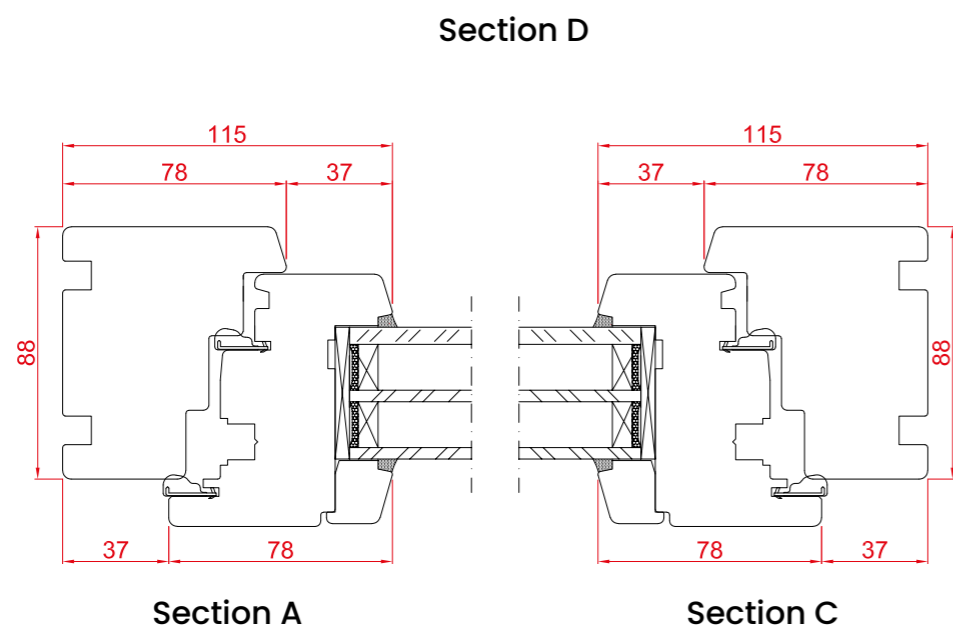
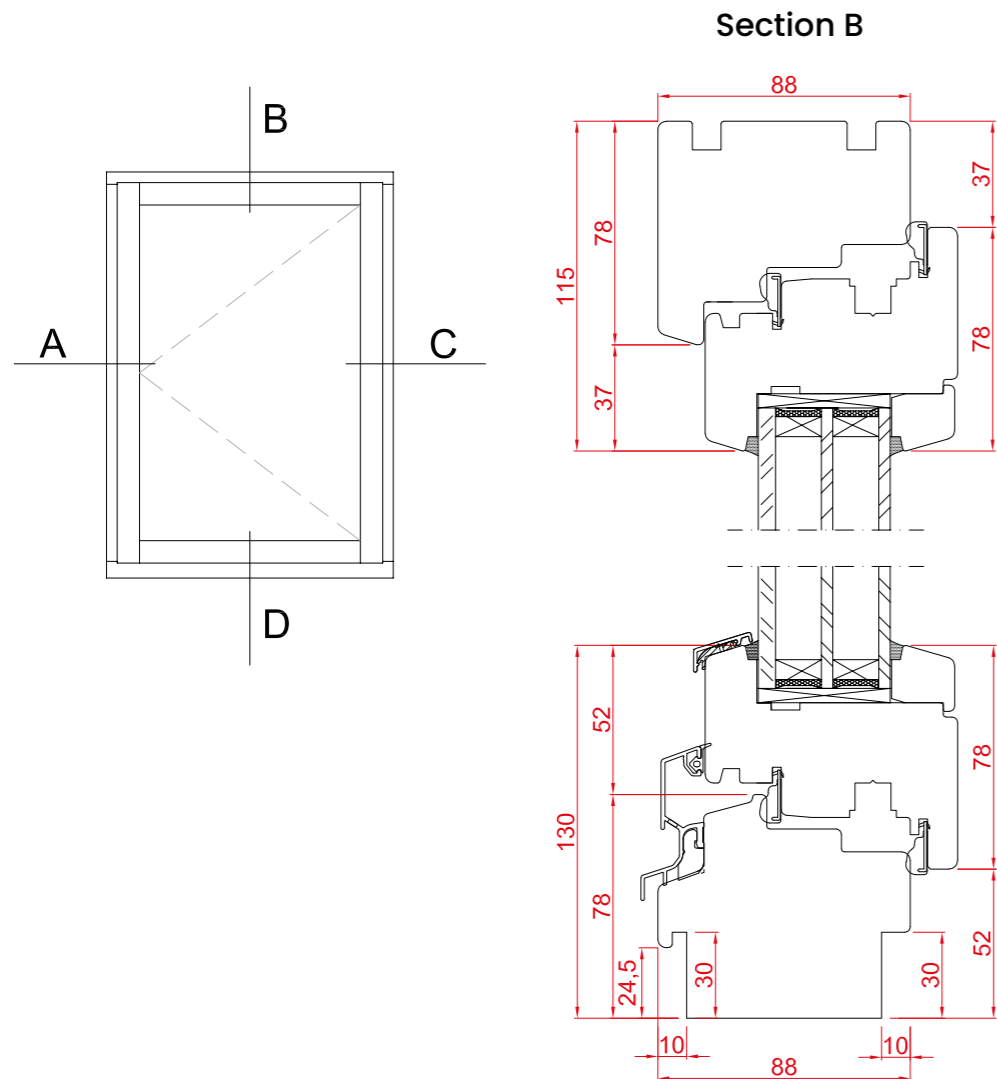


The standard version includes a triple-glazed unit with heat transfer coefficient  $U_g = 0,6\text{ W/m}^2\text{K}$ .



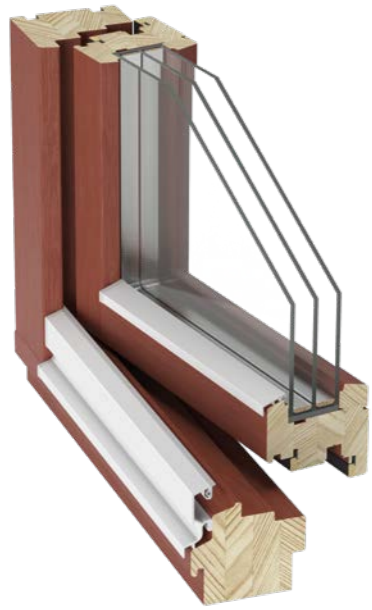
The windows can be made of finger-jointed pine, solid pine, meranti, oak and Siberian larch.

## System IV 88 Euroline



- ✓ MACO MULTI-MATIC fittings are equipped with a blockade of the incorrect position of the handle, micro-ventilation and sash lift.
- ✓ The glazing thickness ranges from 44 mm to 50 mm.

# Available versions of the IV 88 Euroline system



IV 88 Euroline



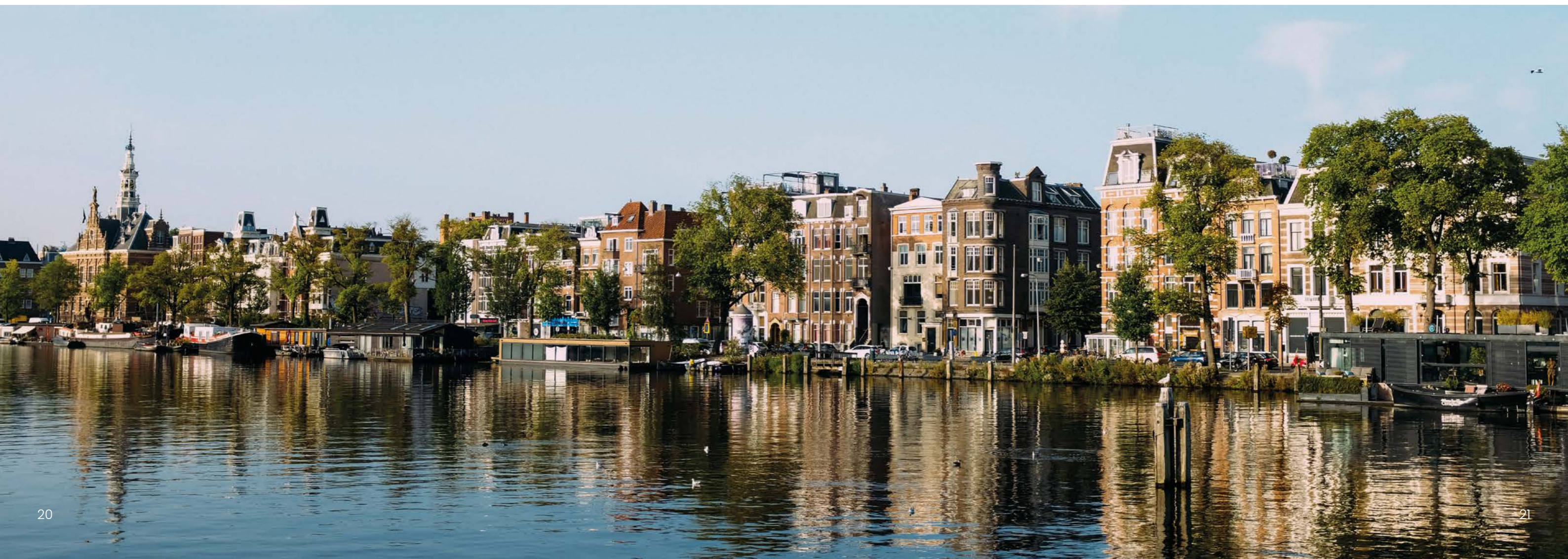
IV 88 Euroline Soft



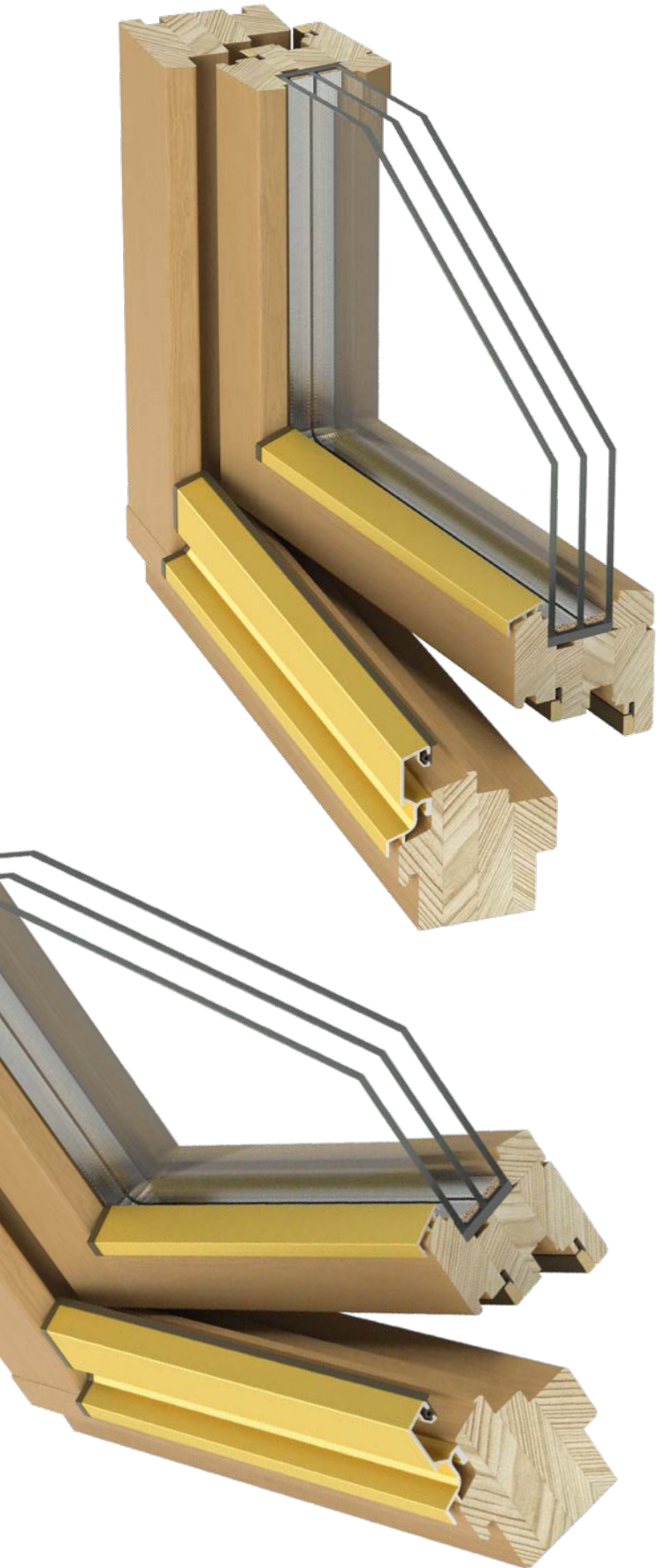
IV 88 Euroline Belgia



IV 88 Euroline Retro



## IV 78 Euroline



78 mm



$R_w = 32\text{dB}$



$U_w = 0,94\text{ W/m}^2\text{K}$



**Euroline 78 windows** are an excellent product made of natural materials. Durable oak wood, warm pine, exotic meranti or beautiful Siberian larch will enhance the unique feel of your space.

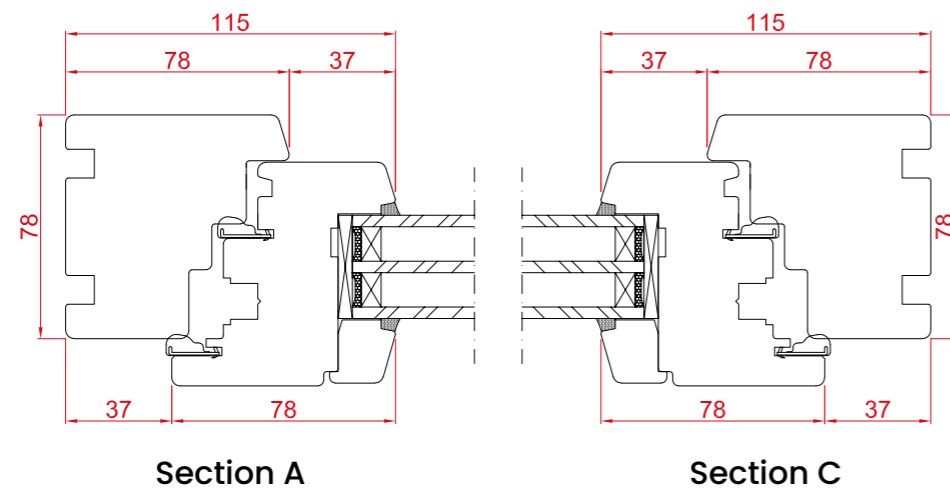
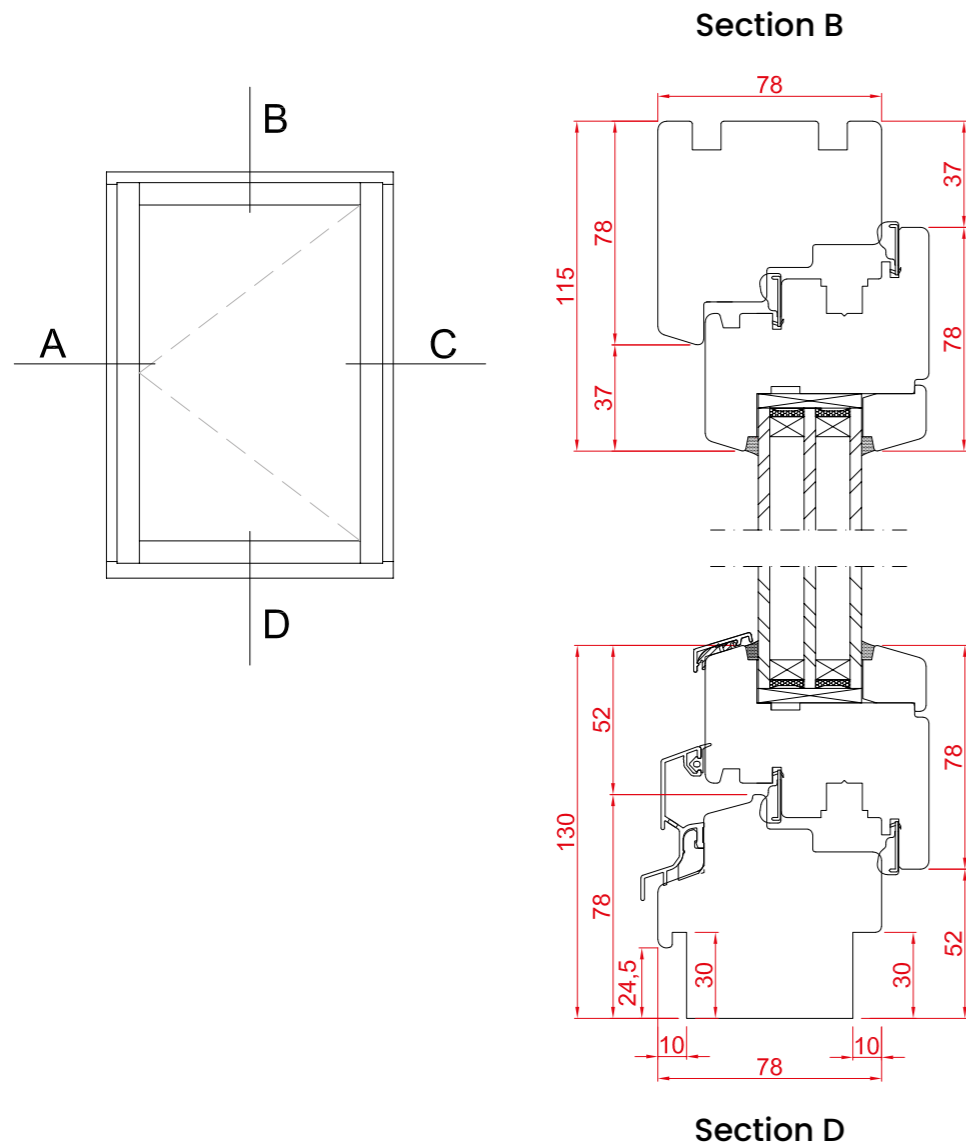


The standard version includes a triple-glazed unit with heat transfer coefficient  $U_g = 0,7\text{ W/m}^2\text{K}$ .



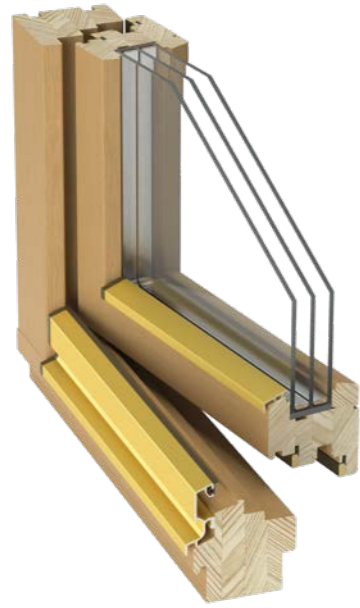
MACO MULTI-MATIC hardware has a handle mishandling device, trickle ventilation and a sash lifter.

## System IV 78 Euroline

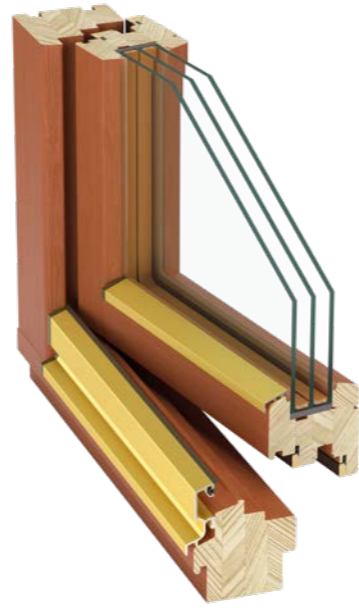


- ✓ The profile is 78-mm thick and is made of 3- or 4-ply glued laminated timber.
- ✓ The glazing thickness ranges from 34 mm to 40 mm.

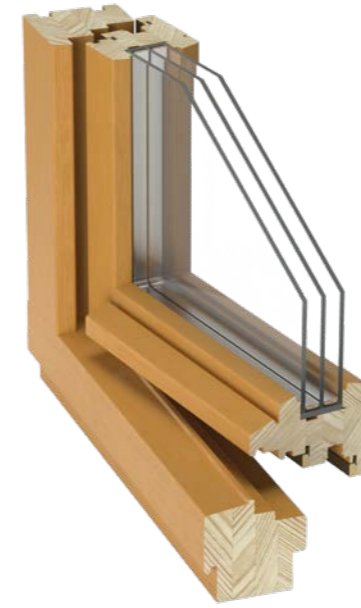
## Available versions of the IV 78 Euroline system



IV 78 Euroline



IV 78 Euroline Soft



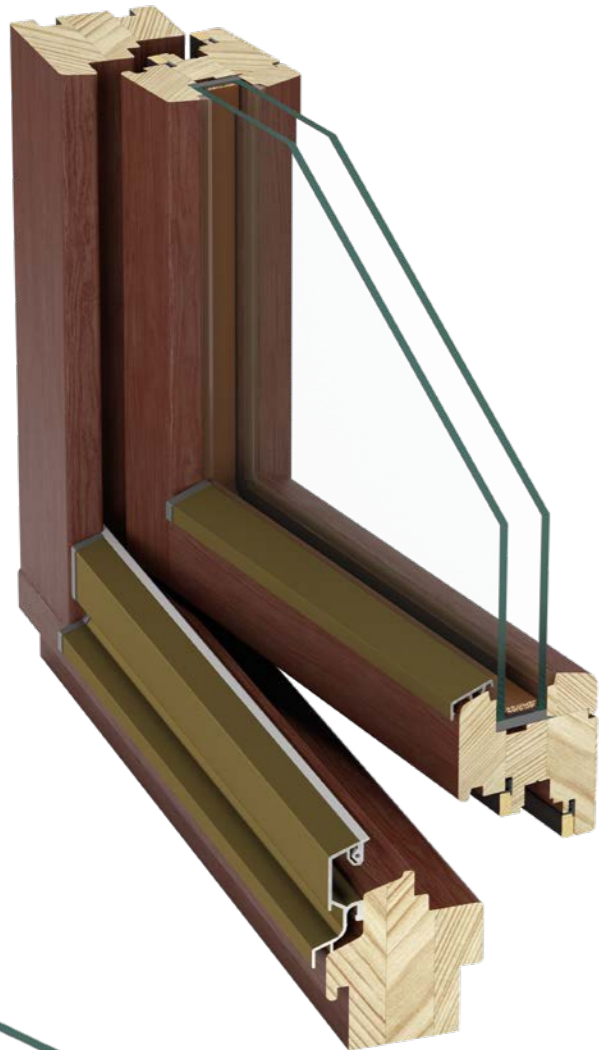
IV 78 Euroline Belgia



IV 78 Euroline Retro



## IV 68 Euroline



68 mm



$R_w = 32\text{dB}$



$U_w = 1,2\text{ W/m}^2\text{K}$



**The 68 Euroline system** includes windows made of 3-ply glued laminated timber with a thickness of 68 mm. With their excellent appearance, they will easily satisfy the tastes of even the most demanding customers.

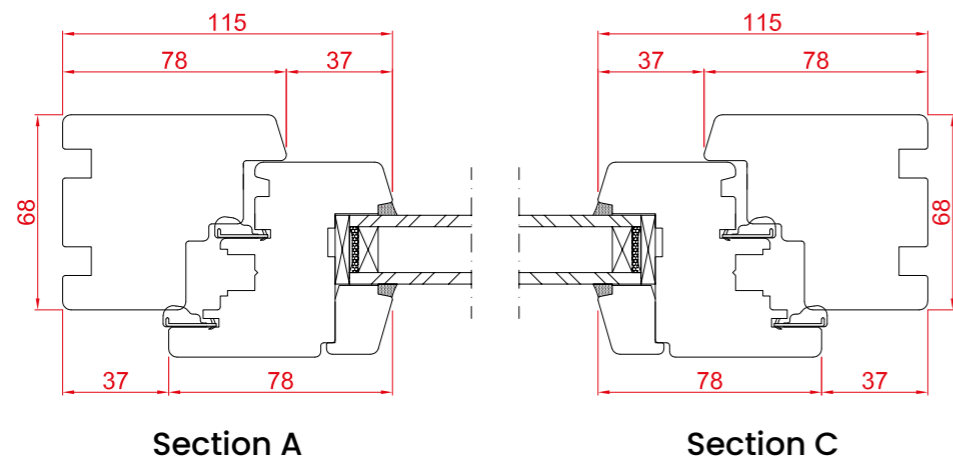
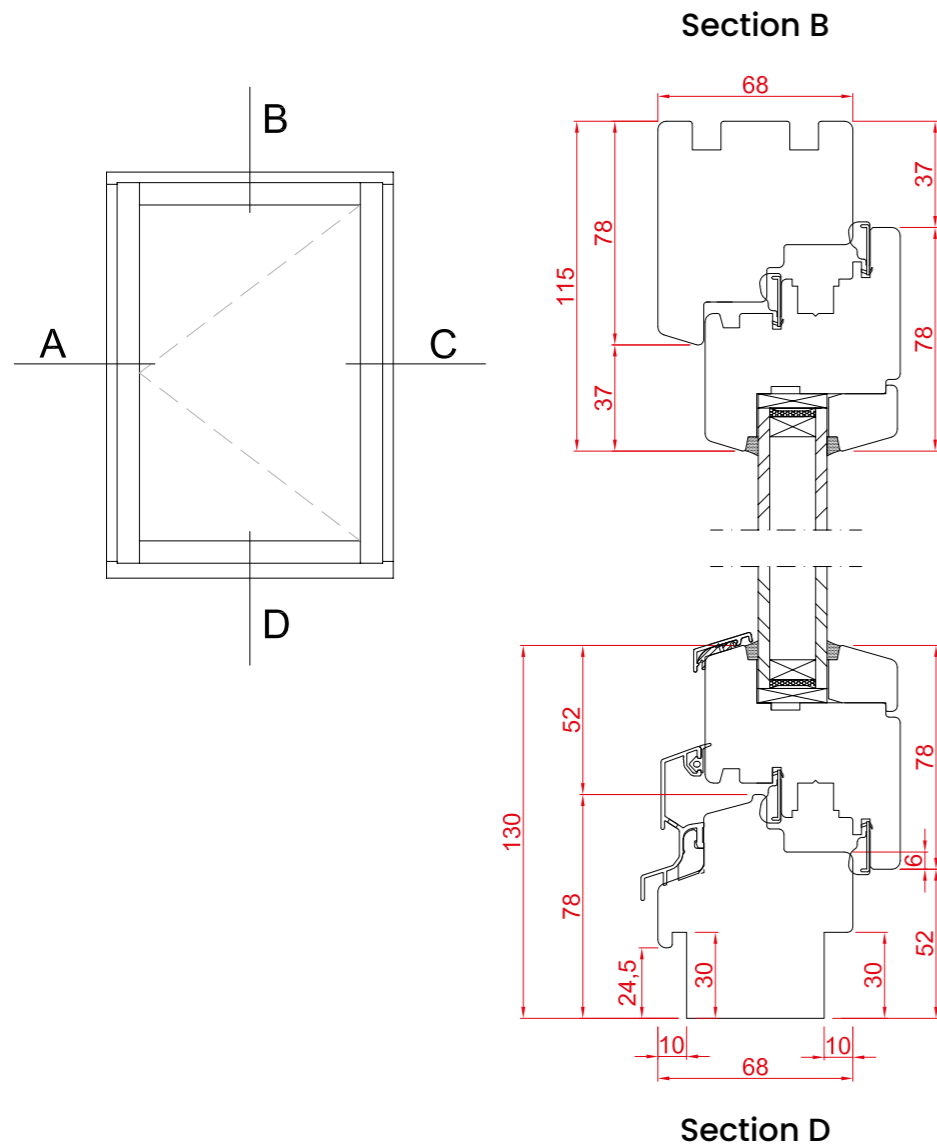


MACO MULTI-MATIC fittings are equipped with a blockade of the incorrect position of the handle, micro-ventilation and sash lift.



The glazing thickness ranges from 24 mm to 30 mm.

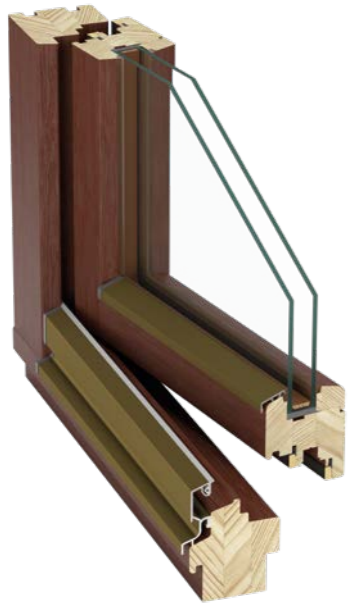
**System IV 68 Euroline**



The windows are covered with a 4-layer, waterproof varnish, which extends the durability of the window. The varnishes used are 100% ecological. The highest quality and durability for your customer.



## Available versions of the IV 68 Euroline system



IV 68 Euroline



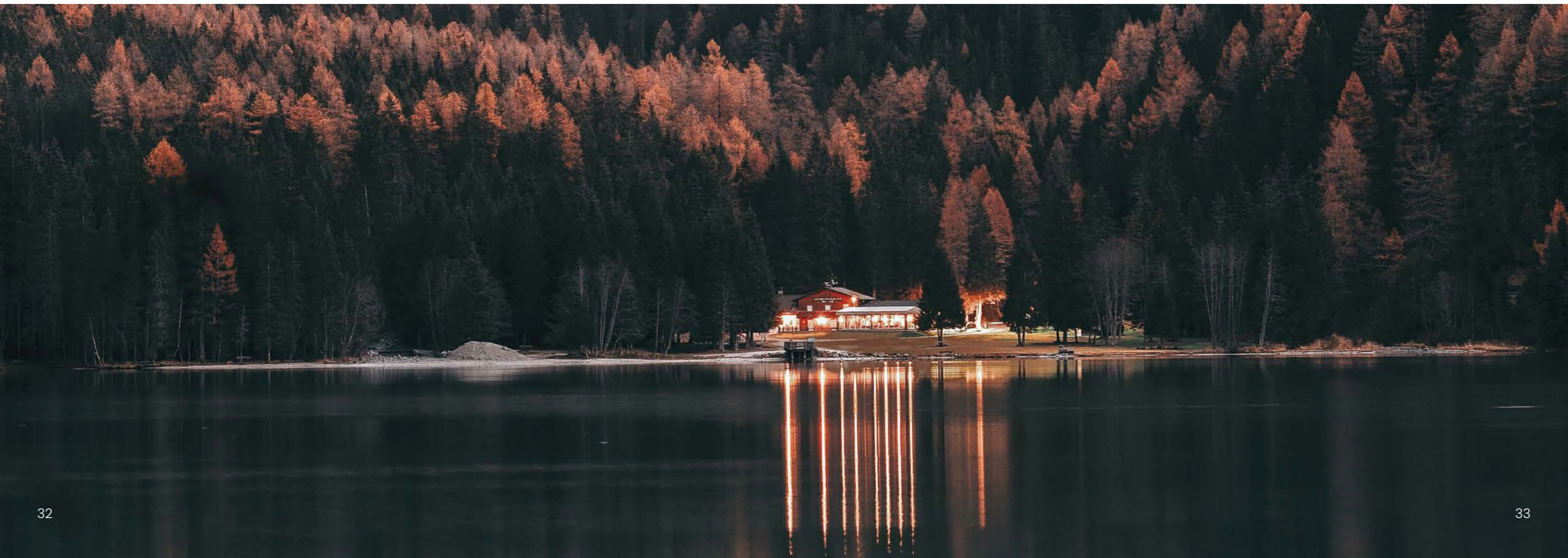
IV 68 Euroline Soft



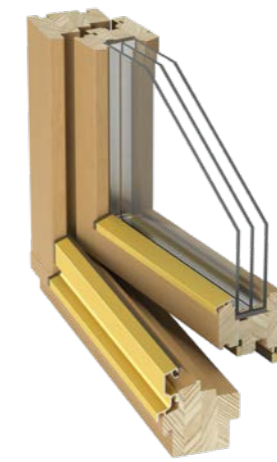
IV 68 Euroline Belgia








IV 68 Euroline Retro



## Euroline Systems Comparison



Window type	IV 92 Euroline	IV 88 Euroline	IV 78 Euroline	IV 68 Euroline
 Heat transfer coefficient	$U_w = 0,77 \text{ W/m}^2\text{K}$	$U_w = 0,78 \text{ W/m}^2\text{K}$	$U_w = 0,94 \text{ W/m}^2\text{K}$	$U_w = 1,2 \text{ W/m}^2\text{K}$
 Heat transfer coefficient of the glazing	$U_g = 0,5 \text{ W/m}^2\text{K}$	$U_g = 0,6 \text{ W/m}^2\text{K}$	$U_g = 0,7 \text{ W/m}^2\text{K}$	$U_g = 1,1 \text{ W/m}^2\text{K}$
 Installation depth	92 mm	88 mm	78 mm	68 mm
 Acoustic insulation	$R_w = 32 \text{ dB}$	$R_w = 32 \text{ dB}$	$R_w = 32 \text{ dB}$	$R_w = 32 \text{ dB}$
 Glazing thickness	48 mm – 54 mm	44 mm – 50 mm	34 mm – 40 mm	24 mm – 30 mm

## PARYŻ Scandinavian–French system



68 mm



$U_g = 1,1 \text{ W/m}^2\text{K}$



$R_w = 32 \text{ dB}$



24 – 30 mm



In this system, the sash is flush with the frame, and the window is closed by dedicated rod lock.



The standard version includes a double-glazed unit with heat transfer coefficient  $U_g = 1,1 \text{ W/m}^2\text{K}$ .

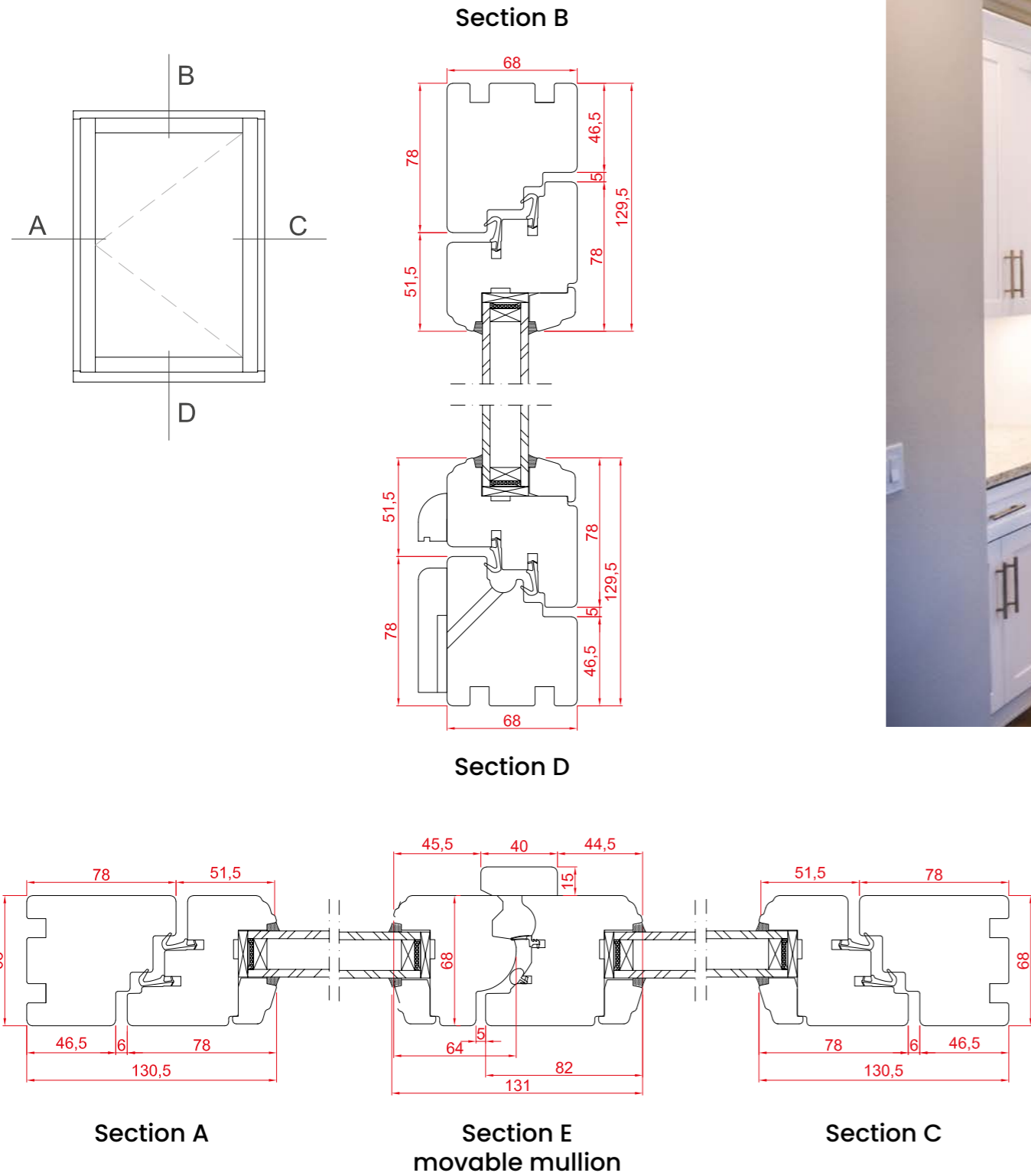


The windows can be made of finger-jointed pine, solid pine, meranti, oak and Siberian larch.



Movable mullion, characteristic to this profile. No multi-point locking system. Available hinges: Agas Loutre Paryż.

## PARYŻ Scandinavian–French system



- ✓ A profile dedicated to the French market with drip caps and wooden masking strips.
- ✓ Window cascades are available as raw but also in white and black.
- ✓ The glazing thickness ranges from 24 mm to 30 mm.

## Casement system



68 mm



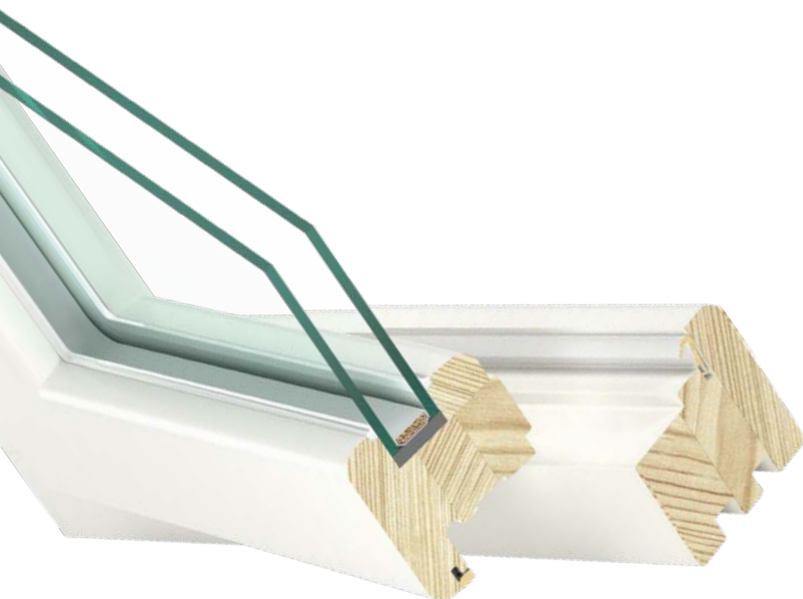
$U_g = 1,1 \text{ W/m}^2\text{K}$



$R_w = 32 \text{ dB}$



24 mm



Traditional Casement windows open to the outside, provide great arrangement possibilities. Thanks to them, we can plan the space more efficiently.

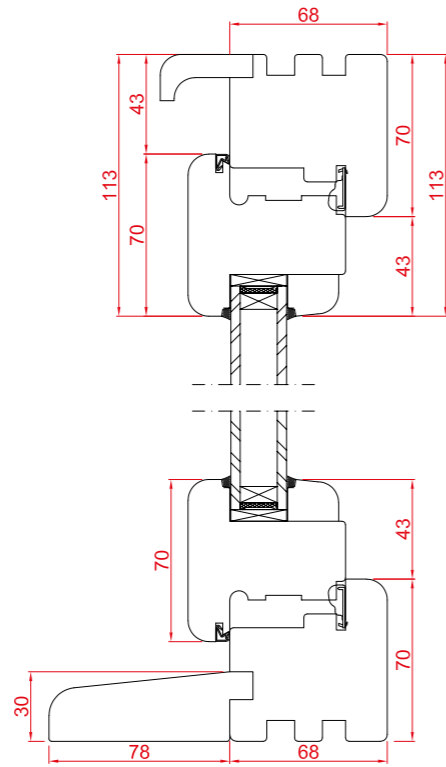


Eco-friendly, waterproof varnishes.

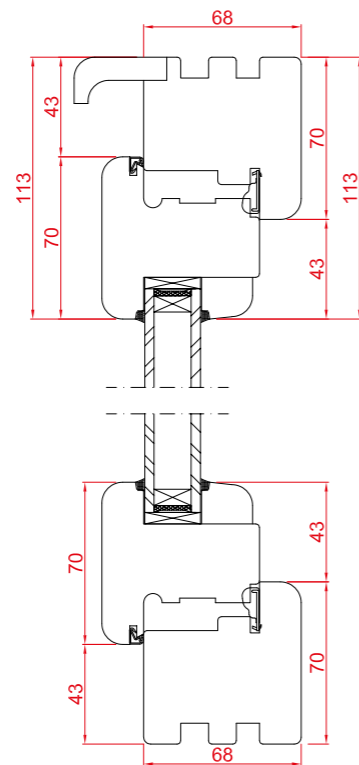


Scissor hinges with EASY CLEAN function.

### Casement system with a sill

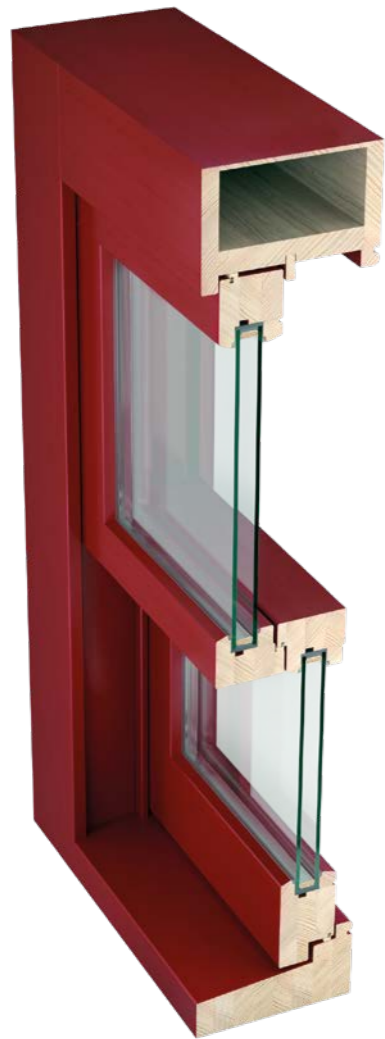


### Casement system without a sill



The profile width is 68 mm. There is also an additional option with an outer sill with a width of 78 mm.

## System Sash



158 mm



$U_g = 1,1 \text{ W/m}^2\text{K}$



$R_w = 32 \text{ dB}$



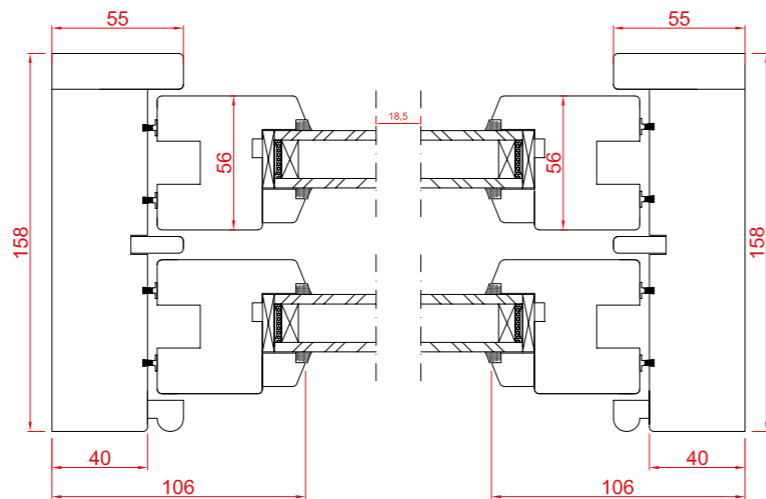
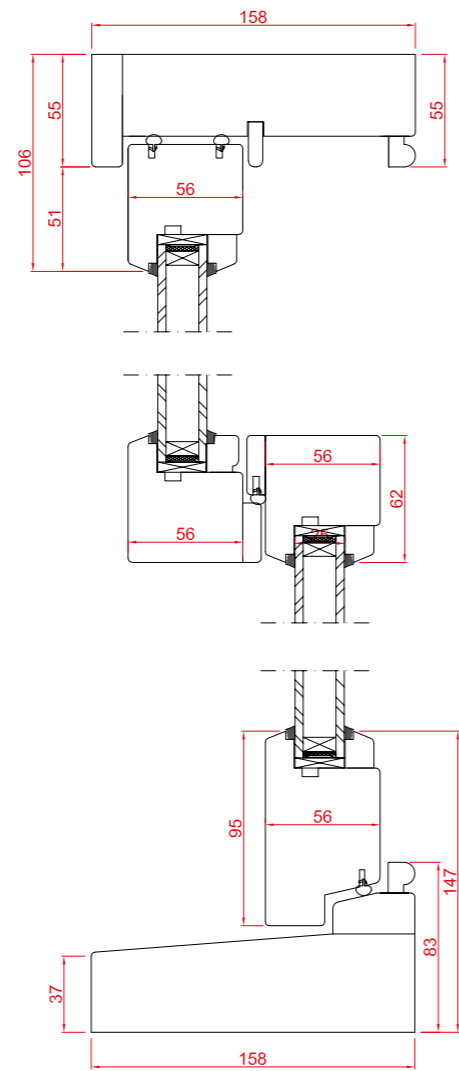
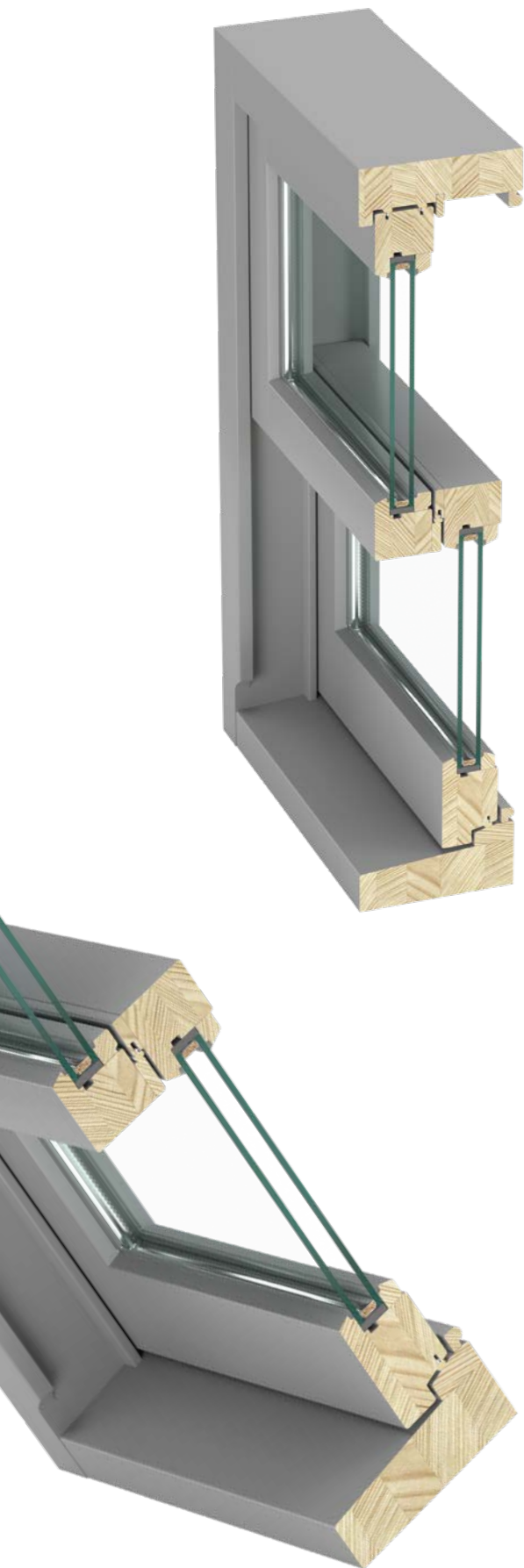
20 – 24 mm



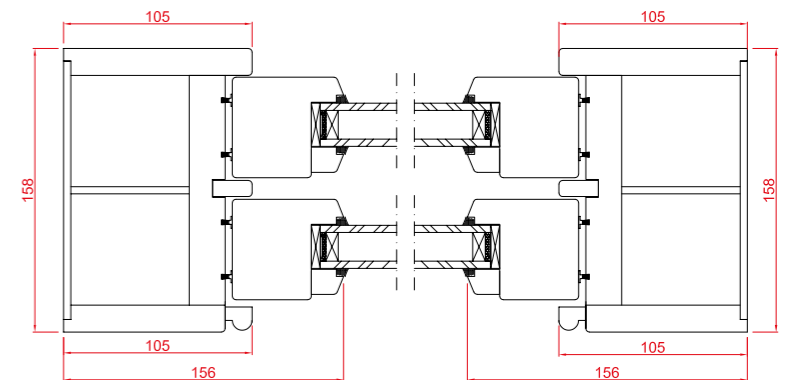
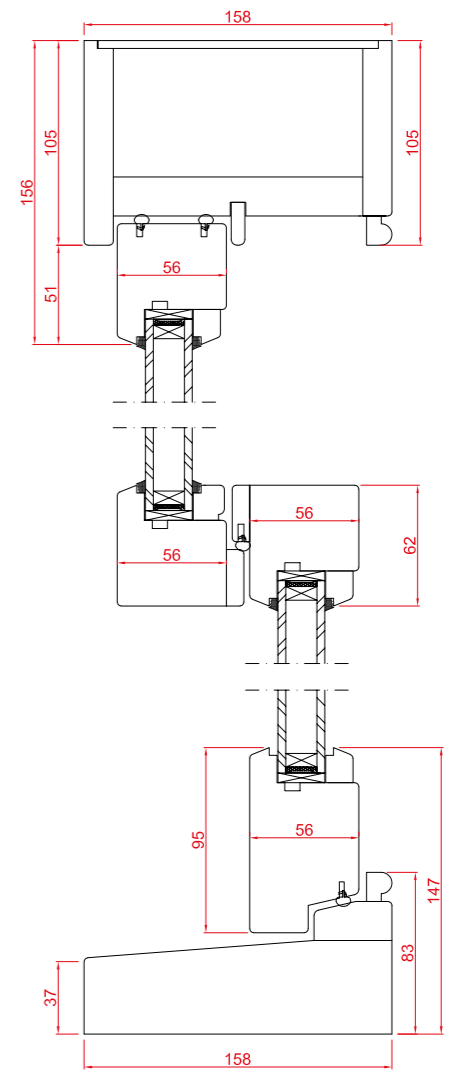
English-style sash windows use a vertical sliding system. They have special weights or springs to make the sashes move easier. The windows are coated only with solid colours.

- ✓ Eco-friendly, waterproof varnishes.
- ✓ The windows can be made of finger-jointed pine, solid pine, meranti, oak and Siberian larch.
- ✓ Conventional cast iron weights or springs for easier sash movement.

## Sash system on the springs



## Sash with the weights





## Unitas system



68 mm  
78 mm



$U_g = 1,1 \text{ W/m}^2\text{K}$



$R_w = 32 \text{ dB}$



24 – 40 mm



Pivot windows are an excellent choice wherever there is a need for fast and frequent venting. Thanks to its design and special hardware, the window can be pivoted 180 degrees with a single movement. This helps with ventilation and makes the window easier to clean. A single handle controls all functions.



Suitable for use with aluminium covers.

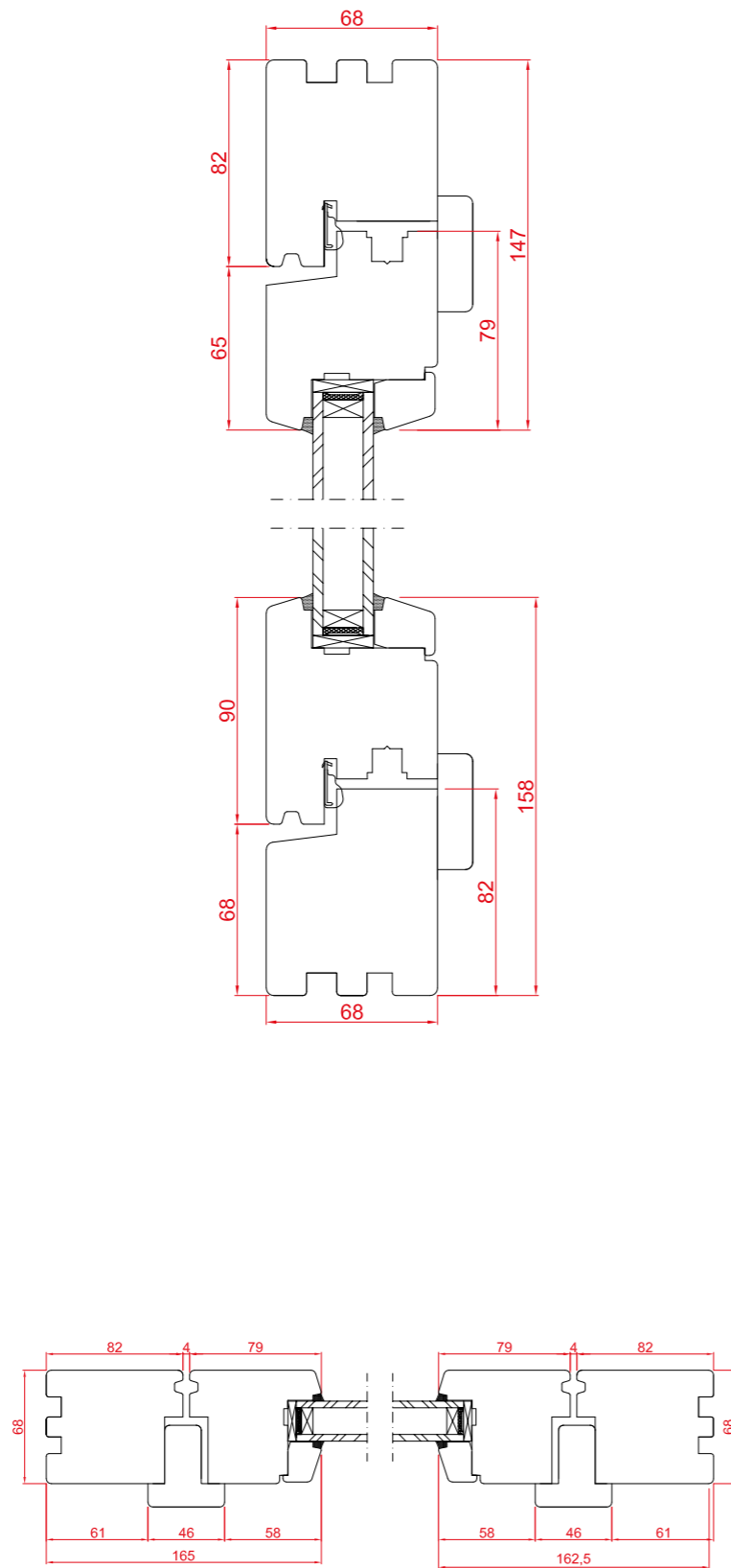
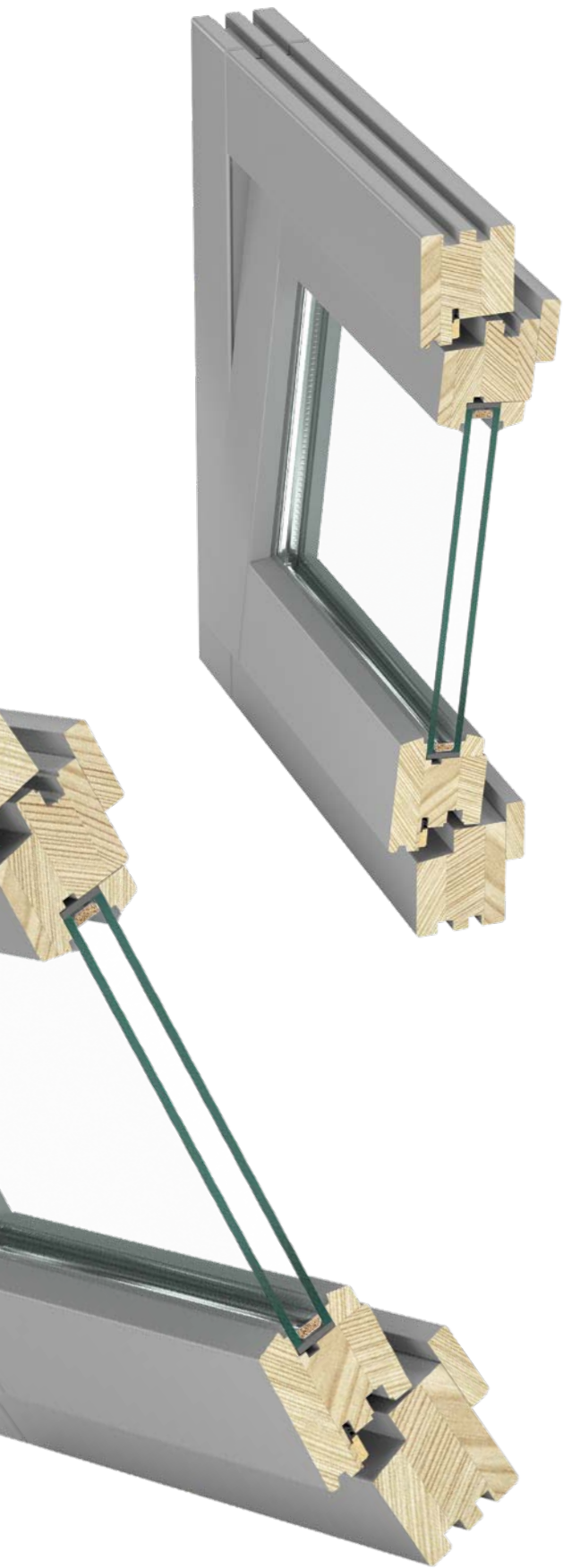


The windows have hardware manufactured by G-U, with a central UNI-JET multi-point locking system. The standard version includes CLEVERLE self-adjusting mushroom cams.

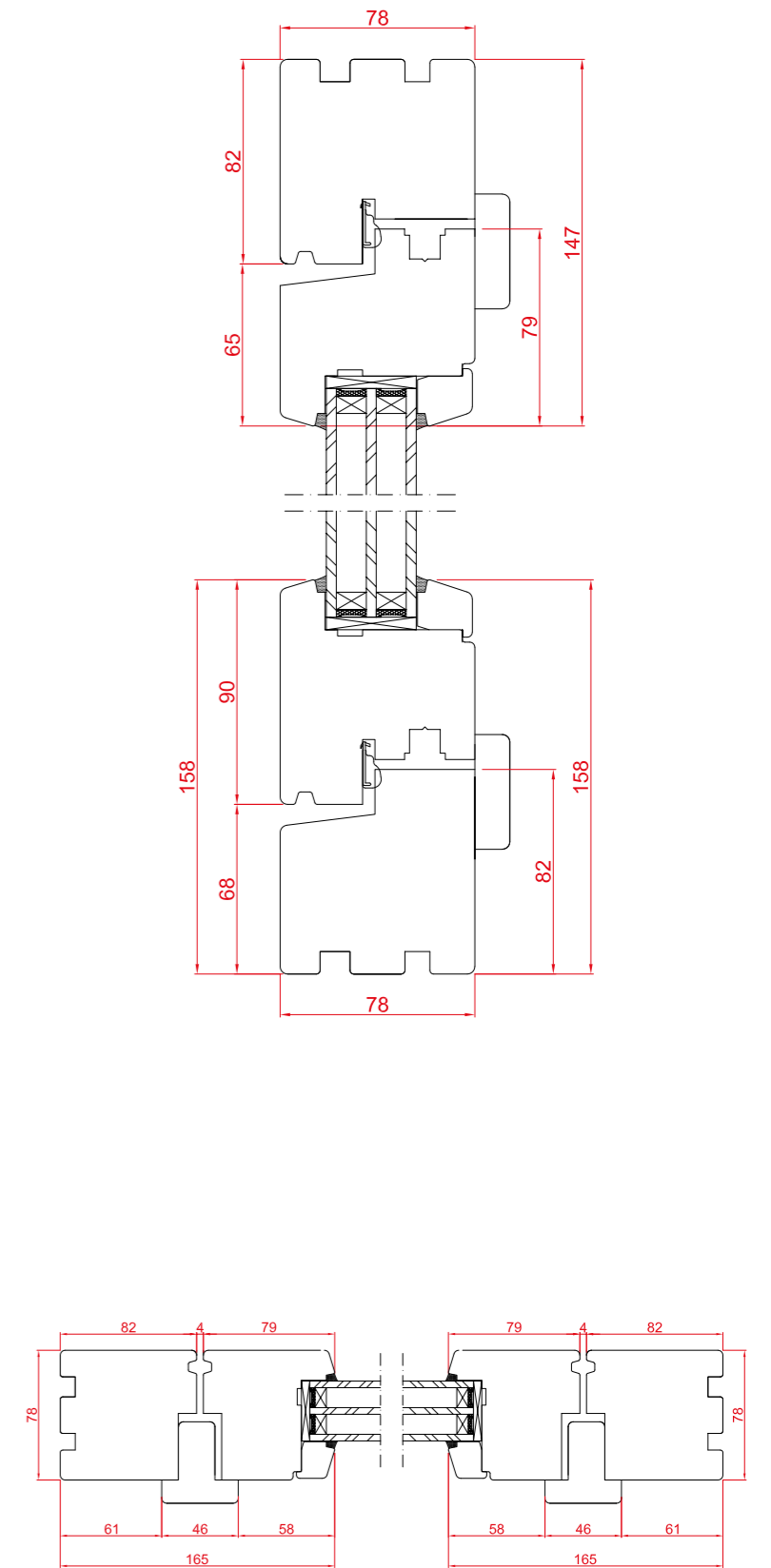
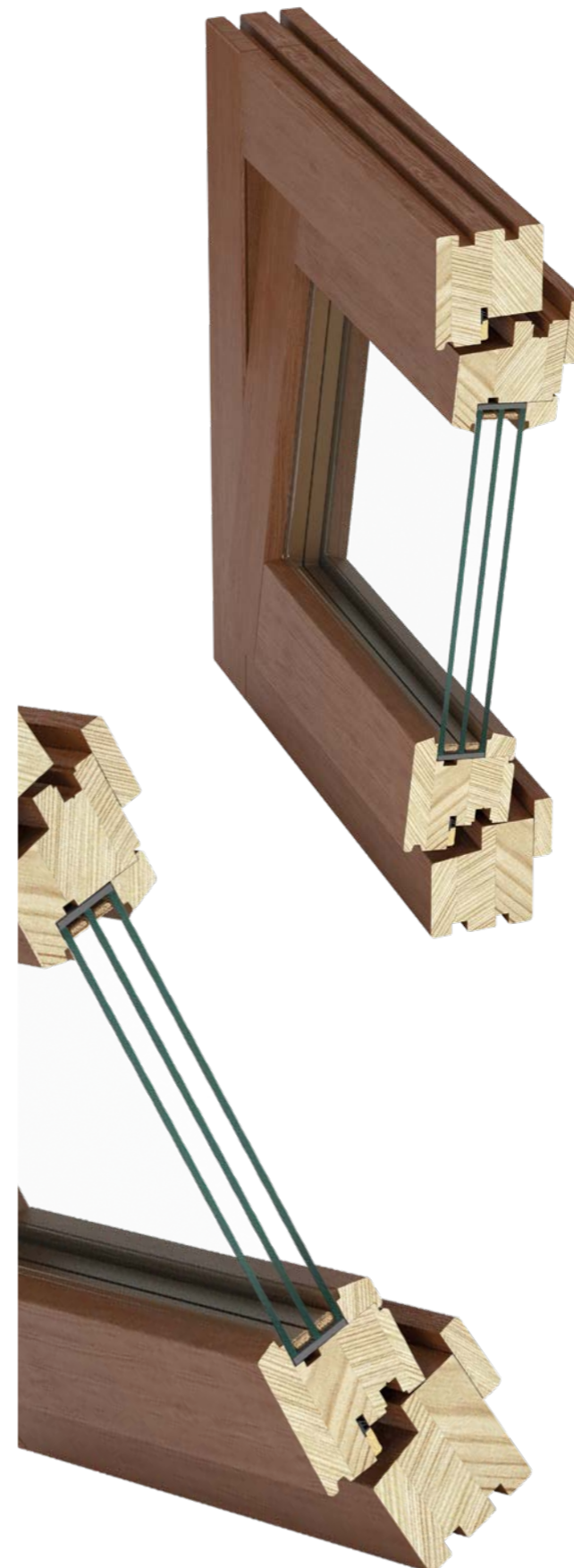


68-mm profile – 24-28-mm glazing unit  
78-mm profile – 34-40-mm glazing unit

## IV 68 Unitas



## IV 78 Unitas



## Scandinavian system



95 mm  
117 mm



$U_g = 1,1 \text{ W/m}^2\text{K}$   
 $U_g = 0,7 \text{ W/m}^2\text{K}$



$R_w = 32 \text{ dB}$



24 – 40 mm



Windows in the Scandinavian style are an excellent choice for people who live in areas exposed to the wind. Strong gusts press the sash against the frame, making the window even more air-tight. The windows open to the outside to save the space inside and make fit-out easier.

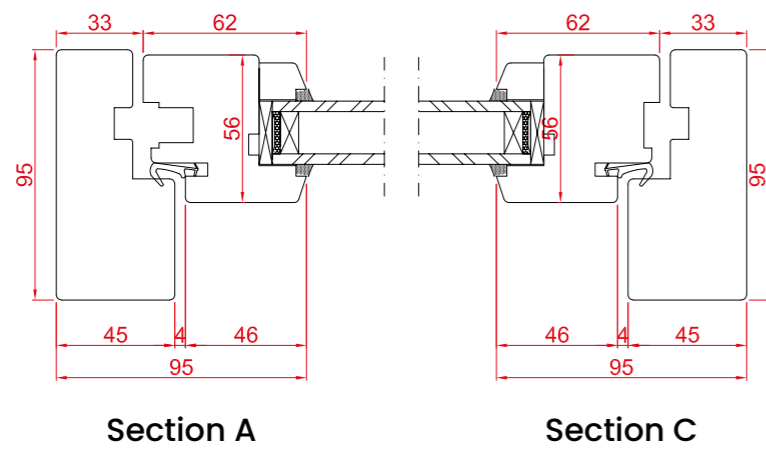
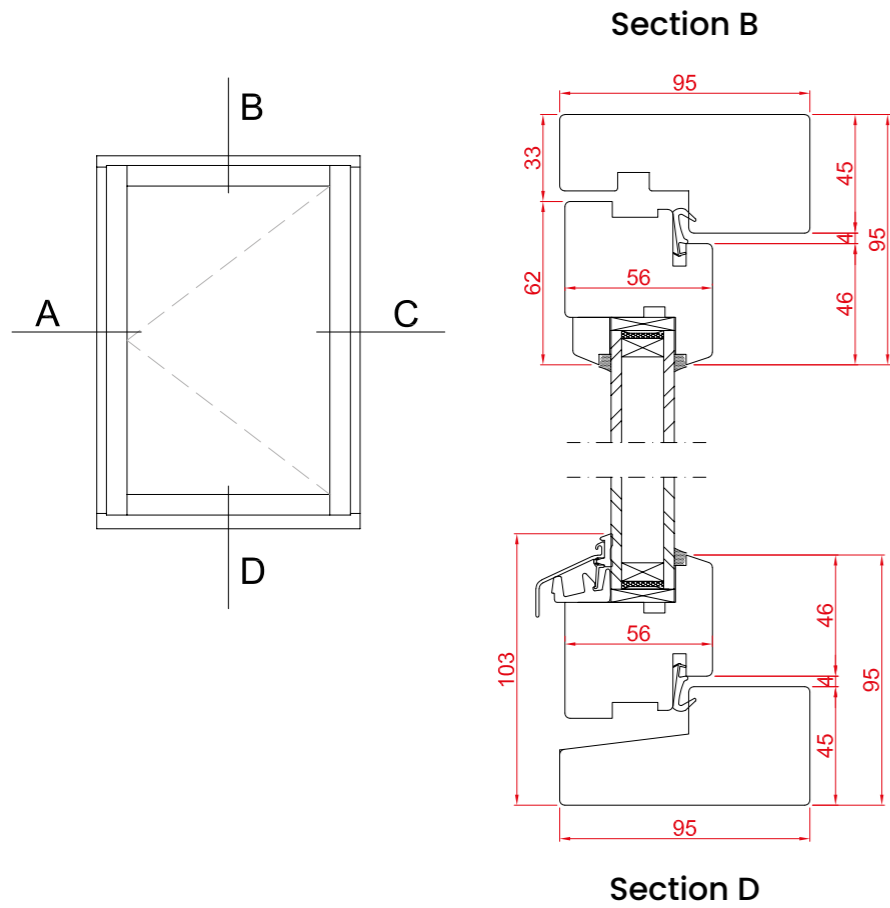


The window can be provided with aluminium covers on the outside.



Possibility to use a triple-glazed unit.

## Scandinavian system












System opened to the outside.



95-mm profile – 24-mm glazing unit  
117-mm profile – 36-40-mm glazing unit

## Comparison of the systems



Window type	Casement	Sash	Unitas	Scandinavian
 Installation depth	68 mm	158 mm	<ul style="list-style-type: none"> <li>• 68 mm</li> <li>• 78 mm</li> </ul>	<ul style="list-style-type: none"> <li>• 95 mm</li> <li>• 117 mm</li> </ul>
 Heat transfer coefficient of the glazing	$U_g = 1,1 \text{ W/m}^2\text{K}$	$U_g = 1,1 \text{ W/m}^2\text{K}$	$U_g = 1,1 \text{ W/m}^2\text{K}$	$U_g = 1,1 \text{ W/m}^2\text{K}$ $U_g = 0,7 \text{ W/m}^2\text{K}$
 Glazing thickness	24 mm	20 mm – 24 mm	24 mm – 40 mm	24 mm – 40 mm
 Acoustic insulation	$R_w = 32 \text{ dB}$	$R_w = 32 \text{ dB}$	$R_w = 32 \text{ dB}$	$R_w = 32 \text{ dB}$
 Environmentally friendly waterproof paint				

# Wood-aluminum windows



## Wood-aluminium 78 mm



78 mm



$R_w = 32\text{dB}$



$U_w = 1,1\text{ W/m}^2\text{K}$



The use of wooden-aluminum windows allows you to maintain a warm climate inside, with the simultaneous guarantee that aluminum on the outside will provide the windows with the best protection against weather conditions, and thus their longevity.



Eco-friendly, waterproof varnishes.

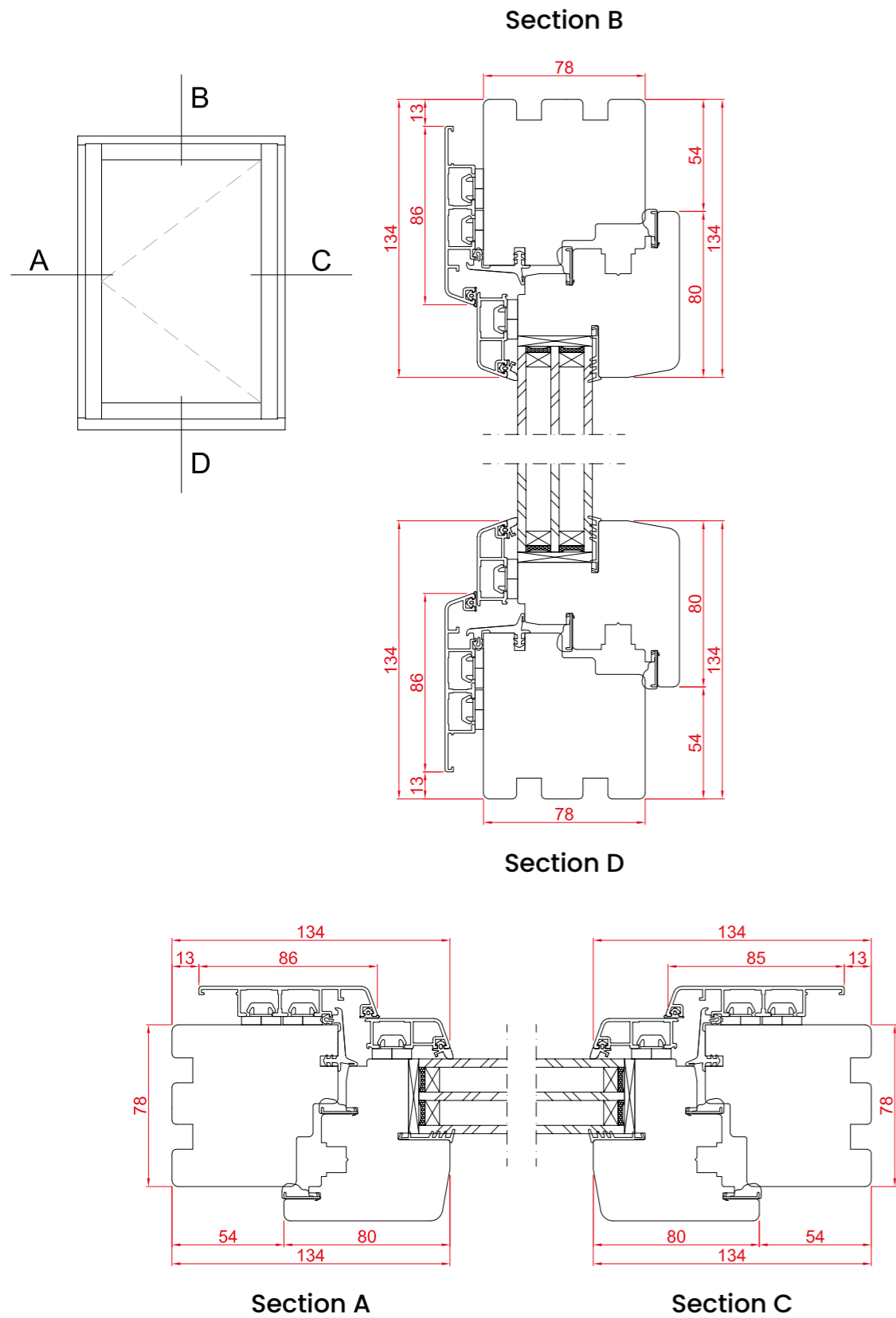


The standard version includes a triple-glazed unit with heat transfer coefficient  $U_g = 0,7\text{ W/m}^2\text{K}$ .



Aluminium covers manufactured by ALURON.

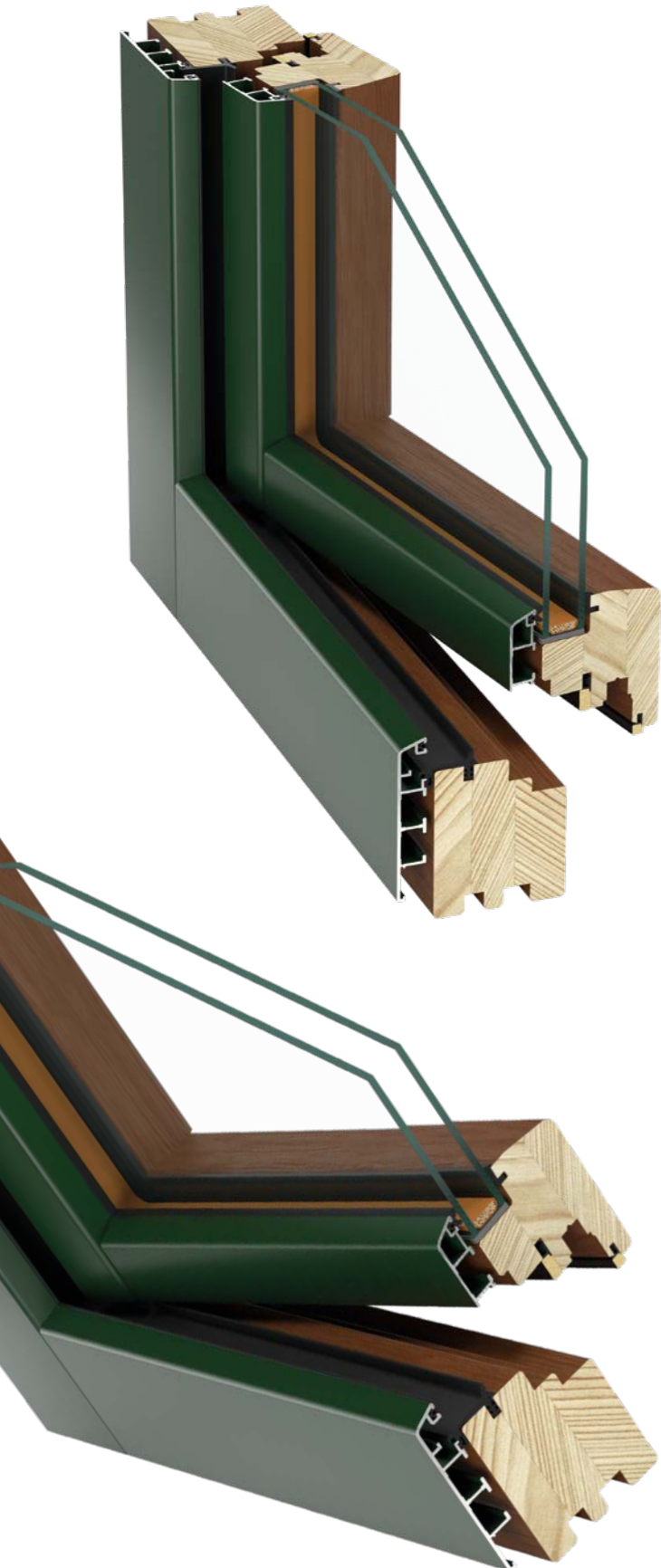
**Wood-aluminium 78 mm**



- ✓ Three gaskets are standard.
- ✓ Aluminum used from the outside protects the wood and guarantees durability.
- ✓ The glazing thickness ranges from 36 mm to 46 mm.
- ✓ The offer also includes the following types of overlays: CLASSIC, RETRO, QUADRAT in various structures.



## Wood-aluminium 68 mm



68 mm



$R_w = 32\text{dB}$



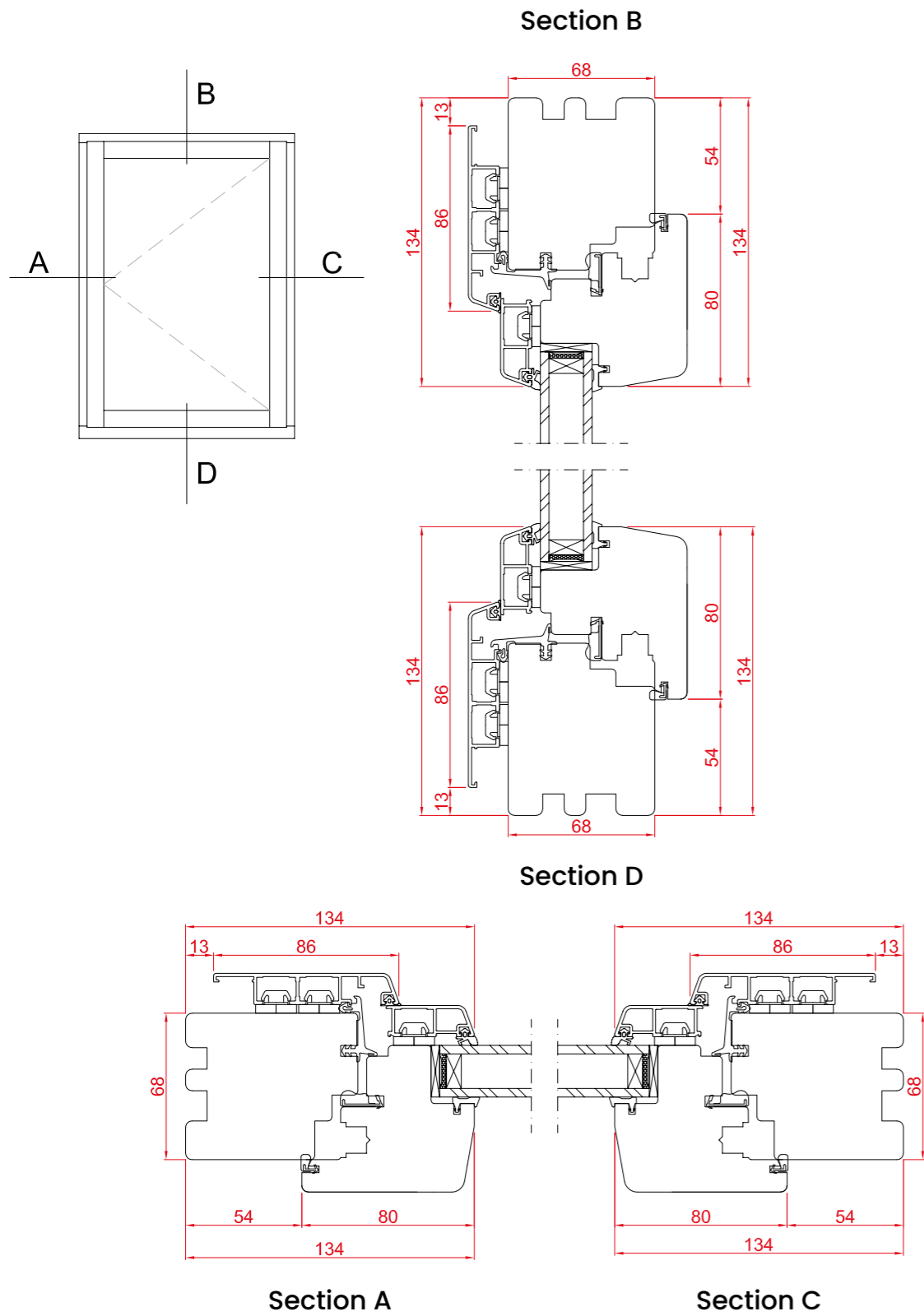
$U_w = 1,4\text{ W/m}^2\text{K}$



These are windows in which wood and aluminium are combined in such a way as to maximize the functional and aesthetic values of each of the raw materials.

- ✓ Eco-friendly, waterproof varnishes.
- ✓ The standard version includes a double-glazed unit with heat transfer coefficient  $U_g = 1,1\text{ W/m}^2\text{K}$ .
- ✓ Aluminium covers manufactured by ALURON.

**Wood-aluminium 68 mm**



- ✓ Three gaskets are standard.
- ✓ Aluminum used from the outside protects the wood and guarantees durability.
- ✓ The glazing thickness ranges from 24 mm to 32 mm.

# Terrace systems



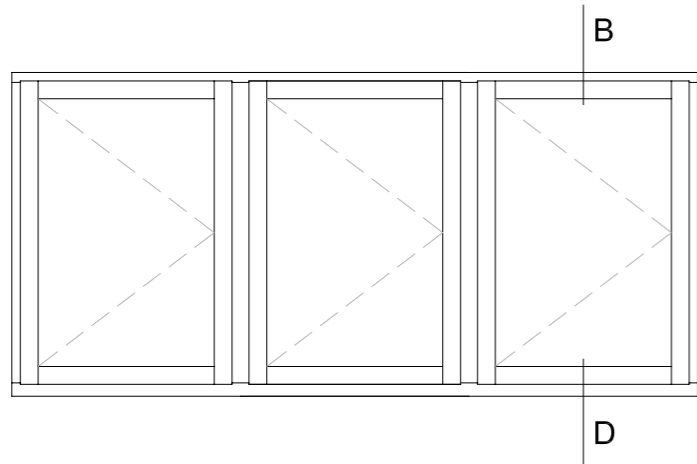
## FS Portal balcony



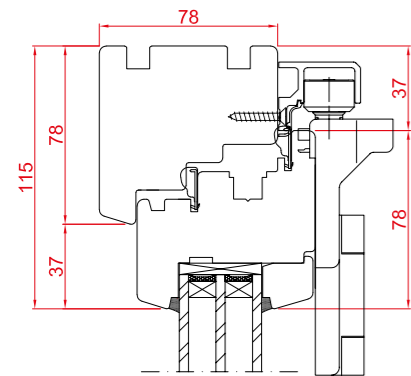
Using the FS Portal balcony system, you can fold the doors by moving them easily and safely to the sides, which increases the clear opening size and enables easy access to the outside space. The system can use up to 7 sliding window sashes to arrange the opening in various ways, covering a length of up to 6.3 m.

- ✓ Available profile thickness: 68, 78, 88 and 92 mm.
- ✓ 3- or 4-ply glued laminated timber. Suitable for use with a low aluminium threshold.
- ✓ Suitable for use with aluminium covers.

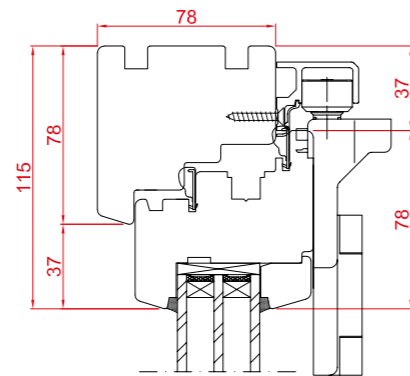
## FS Portal balcony



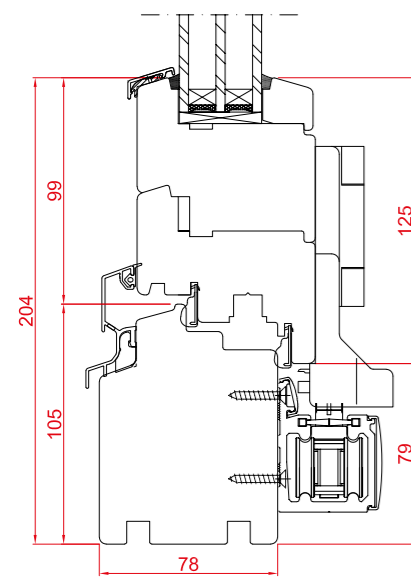
Section B



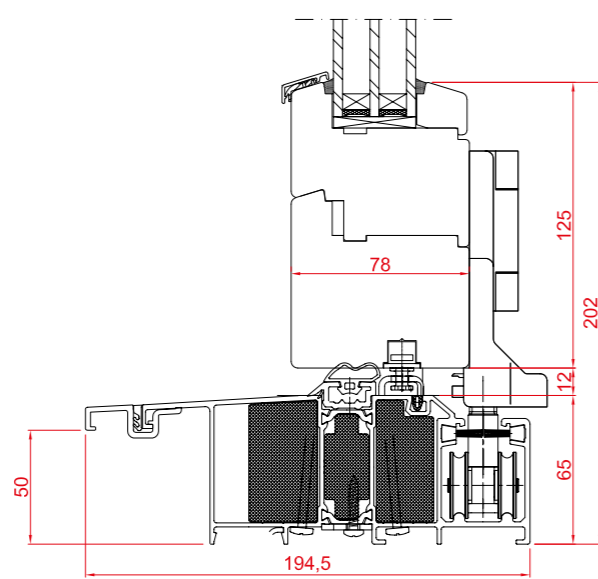
Section B



Section D



Section D



✓ Folding-sliding sashes (accordion type doors).

✓ Eco-friendly, waterproof varnishes.

✓ Hardware manufactured by Siegenia.

## HS sliding balcony

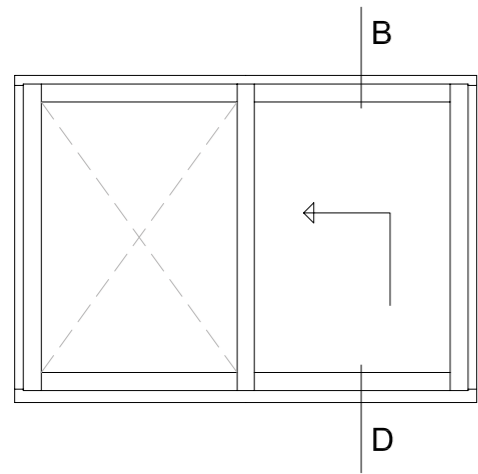


HS lift and slide doors are the perfect choice for anyone who appreciates comfort when stepping out onto their balcony or terrace or into the open space of the garden.

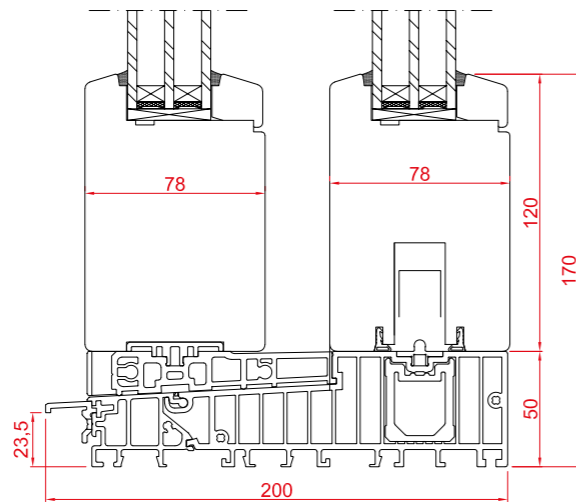
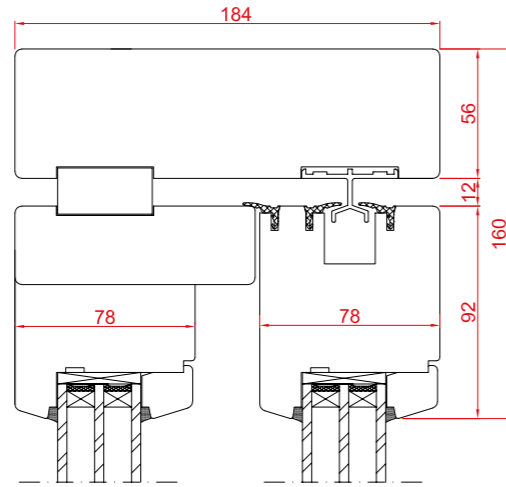
They enable very good contact with the environment because they do not take up any space inside when they are open.

- ✓ Available profile thickness: 68, 78, 88 and 92 mm.
- ✓ Low aluminium threshold.
- ✓ Timber glued in 3 or 4 layers. Various schemes can be used.

## HS sliding balcony



Section B



Section D



- ✓ Eco-friendly, waterproof varnishes.
- ✓ Suitable for use with aluminium covers.
- ✓ Hardware manufactured by Siegenia.

## PSK tilt and slide balcony



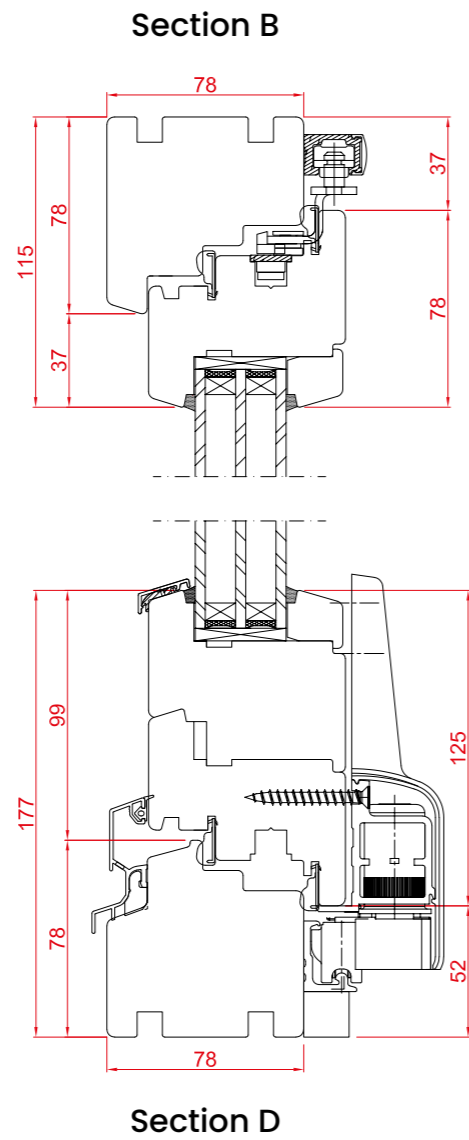
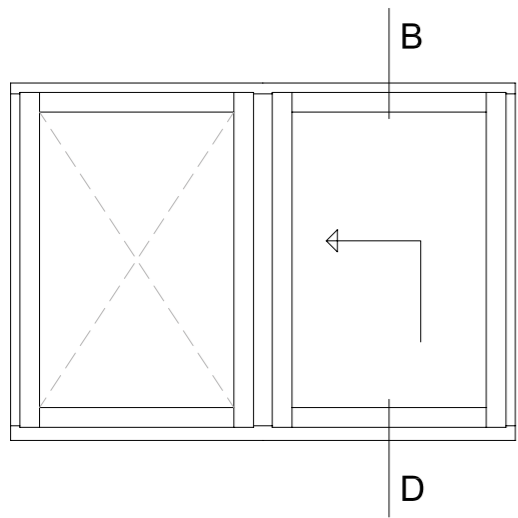
PSK timber tilt and slide doors are intended for anyone who wants to save as much space as possible.

With the PSK design, it will be much easier to fit out your place efficiently, without wasting space for the opening of the sash.

- ✓ Available profile thickness: 68, 78, 88 and 92 mm.
- ✓ Standard timber threshold.
- ✓ 3 or 4-layer glued wood.
- ✓ The possibility of tilting the sash.



## PSK tilt and slide balcony



- ✓ Suitable for use with aluminium covers.
- ✓ Environmentally friendly waterproof paint.
- ✓ Hardware manufactured by Siegenia.

## Almost any colour You want!



**The human eye can tell  
the difference between  
a countless variety of colours.**

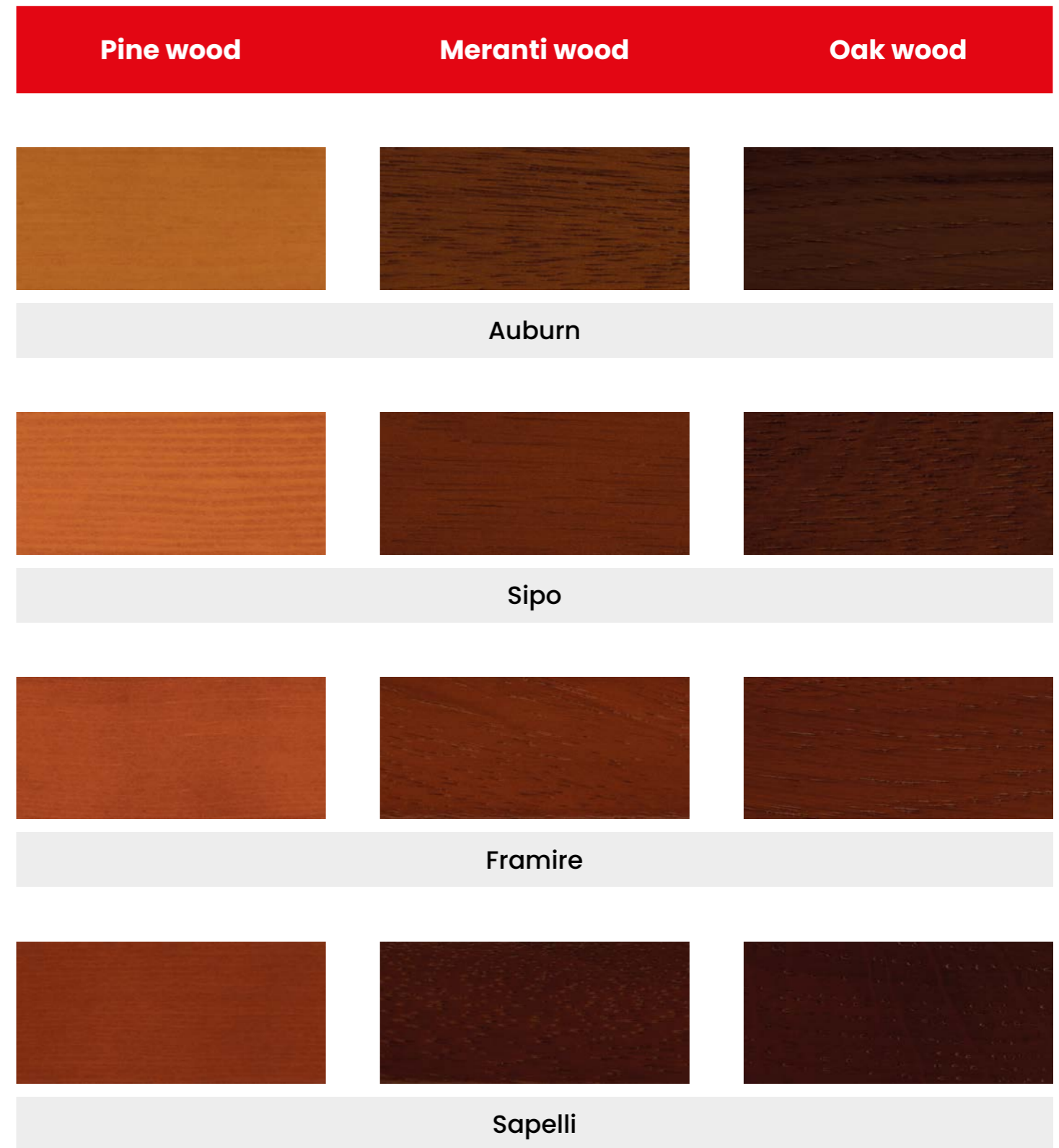
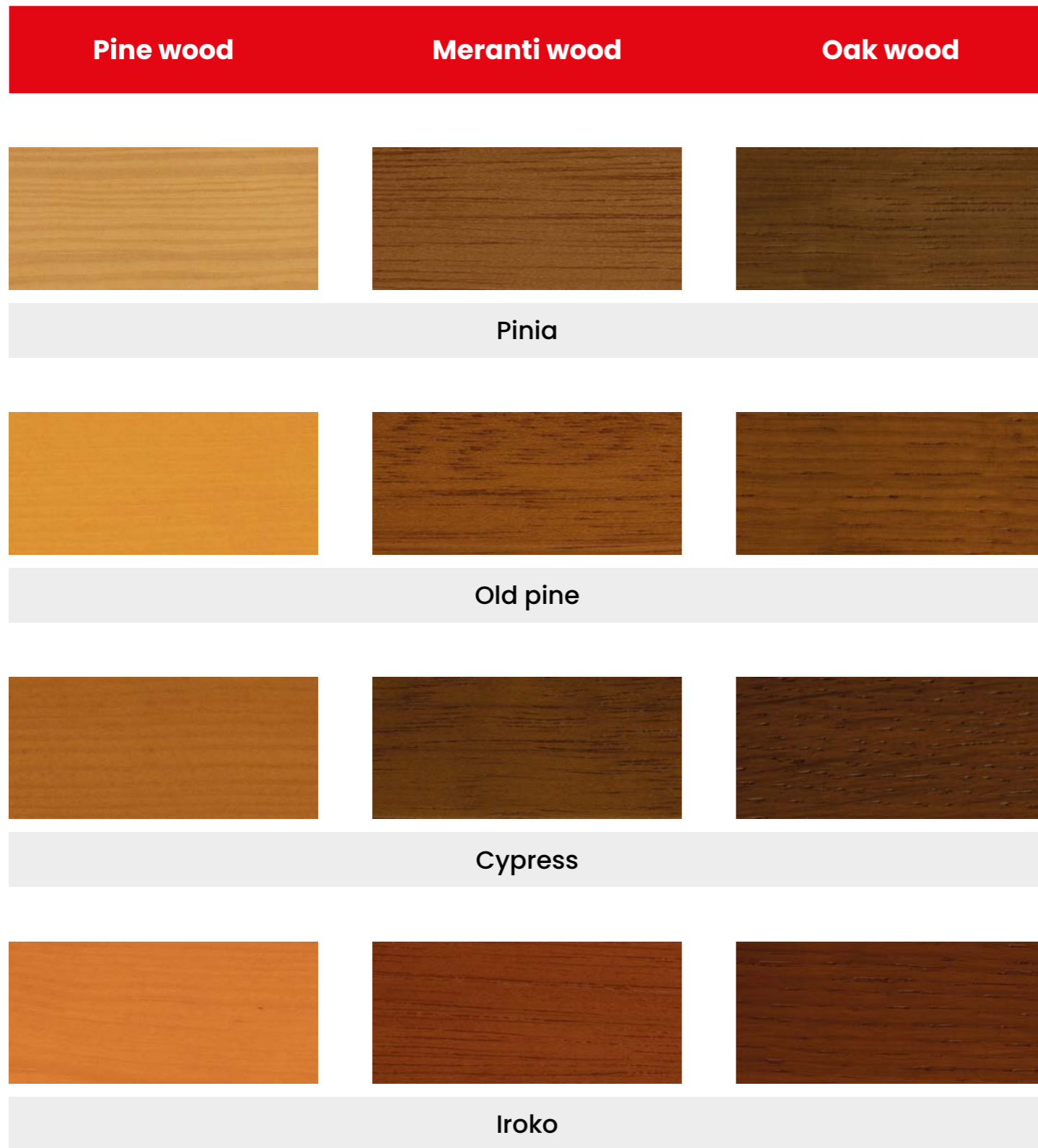
Naturally, we want to enjoy this  
abundance also in our everyday life.

That is why we keep expanding  
our range with new colours.

We do this precisely to recreate  
the deep natural colours that imbue  
our windows with power, style  
and vibrance.



**Available color palette**



**NOTE!** Please note that the wood covered with transparent varnishes (azure) showing its structure, especially Meranti wood, may differ in shades on individual elements.  
Mini-connectors will be visible at the Calcink pine.

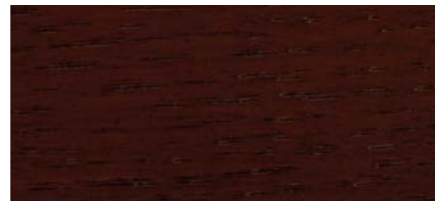
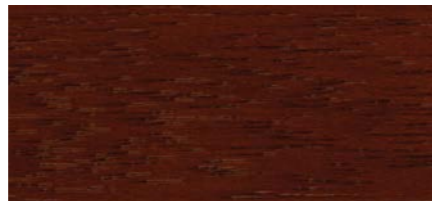
Pine wood

Meranti wood

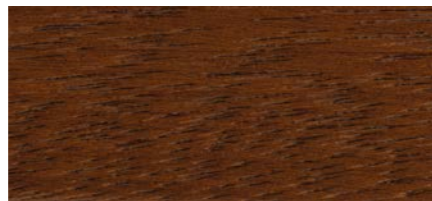
Oak wood



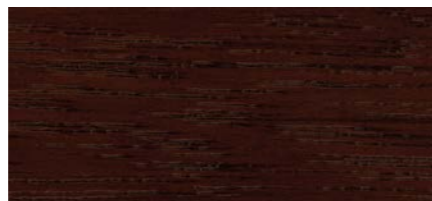
Oak



Calvados



Nut

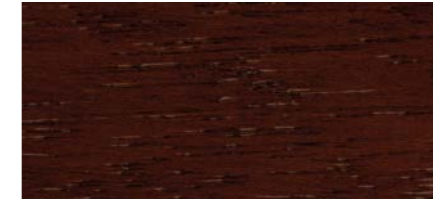
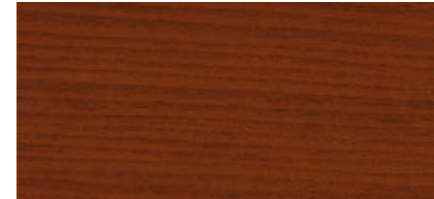


Kempas

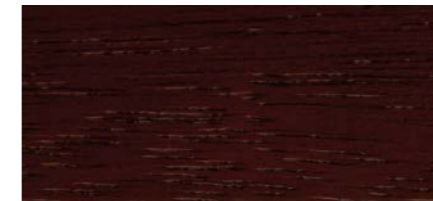
Pine wood

Meranti wood

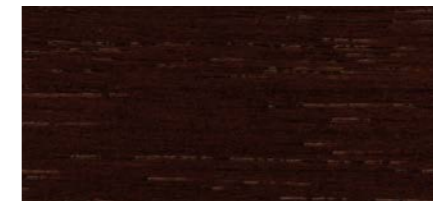
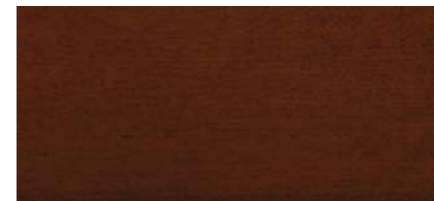
Oak wood



Afromasia



Cherry



Wenge



Acajou

**NOTE!** Please note that the wood covered with transparent varnishes (azure) showing its structure, especially Meranti wood, may differ in shades on individual elements.  
Mini-connectors will be visible at the Calcink pine.

# Accessories



## Ventilation



Trickle vents installed in window sash are a part of the ventilation system and ensure the correct supply of fresh air to the inside of your apartment.

Regular daily activities produce water vapour, which increases the negative indoor humidity level. High humidity is very harmful to our health and to the building itself.

## Timber windows – Ornaments\*



Niagara  
colourless



Master Care  
colourless



Flutes colourless



Flutes colourless  
sandblasted



Rain pattern  
colourless



Delta colourless  
sandblasted



Delta colourless  
not sandblasted



Crizet colourless



Cora colourless



Crepi colourless



Chinchila colourless



Bamboo colourless

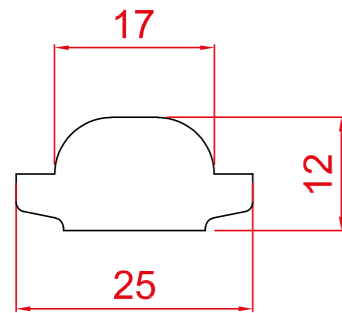


Ornamental glazing is an excellent choice if you give your windows a unique look.

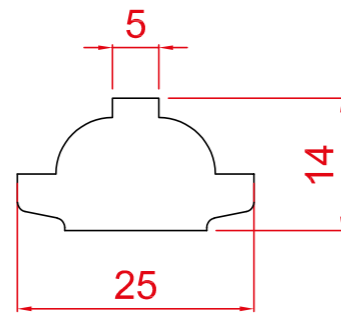
Ornaments have a very wide range of applications thanks to their functional and decorative properties. They can be successfully used as glazing for partitions in places such as the bathroom or kitchen. Thanks to the wide range of available patterns, they can be used in houses and industrial buildings.

\* ornaments can be installed vertically and horizontally

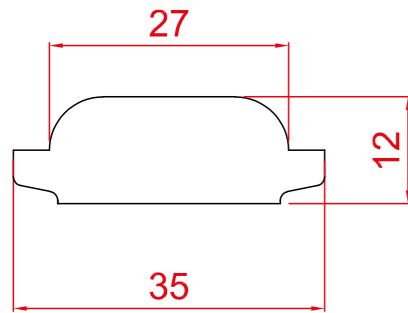
## Glued-on muntin bars



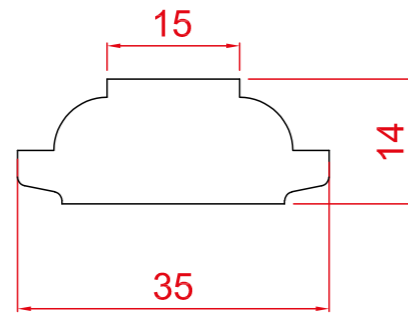
Roller 25 x 12 mm



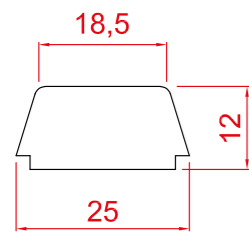
Roller Plus 25 x 12 mm



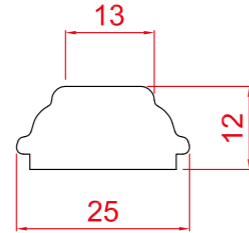
Roller 35 x 12 mm



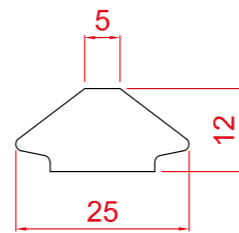
Roller Plus 35 x 12 mm



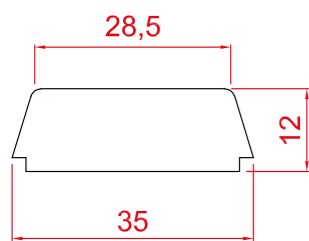
Trapezoidal 25 x 12 mm



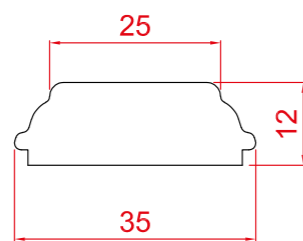
Retro 25 x 12 mm



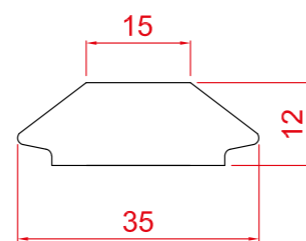
Conical 25 x 12 mm



Trapezoidal 35 x 12 mm



Retro 35 x 12 mm



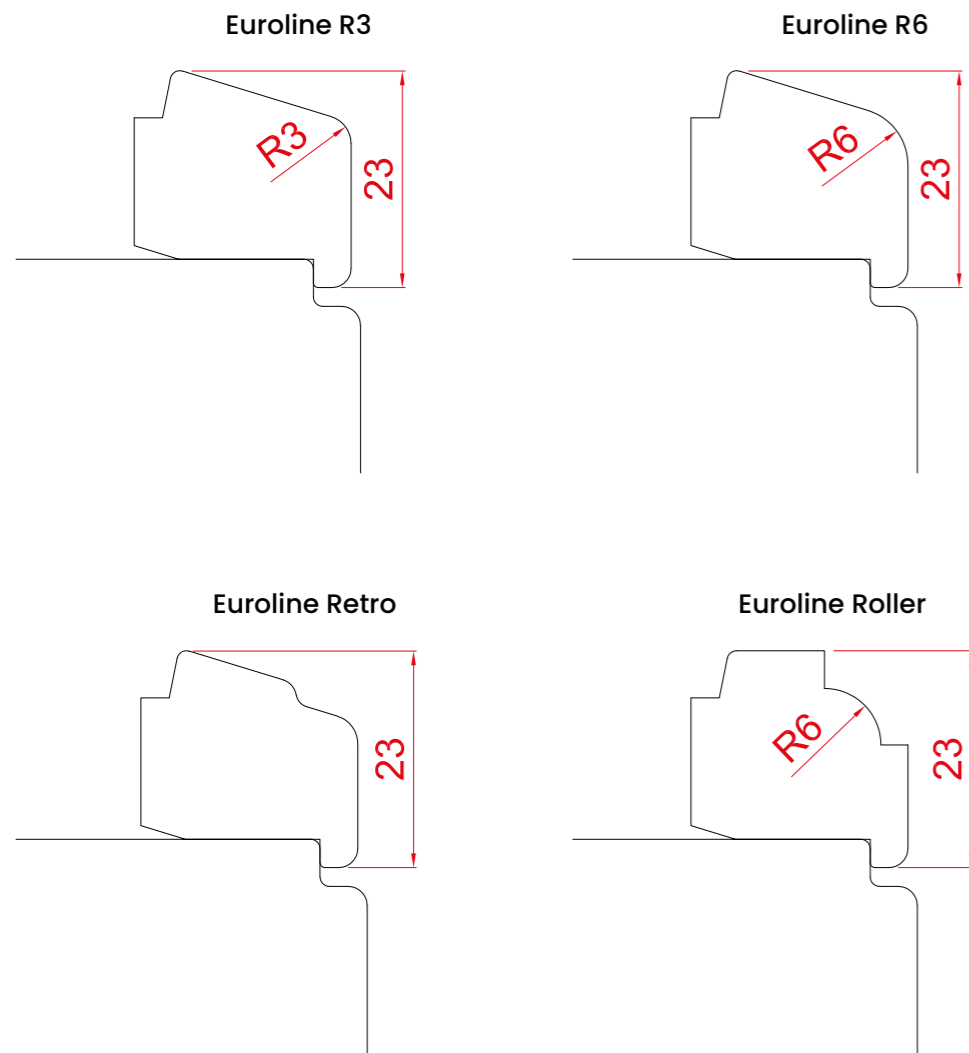
Conical 35 x 12 mm



Dividers glued directly on the glass. They are made of the same material as the window to create a visually consistent product. Our range includes simulated dividers with a thickness of 25 mm and 35 mm.



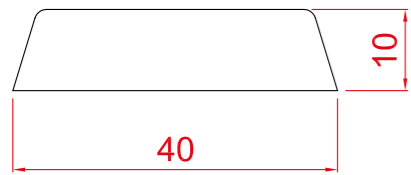
## Glazing beads



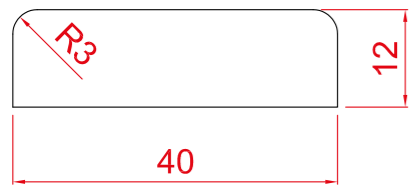
Glazing beads are installed on the inside.  
They are made of the same timber as that used for the window.

They are used to attach the glass but, thanks to the different shapes of the beads available in our range (from simple to more ornamental versions), you can make the entire window look unique.

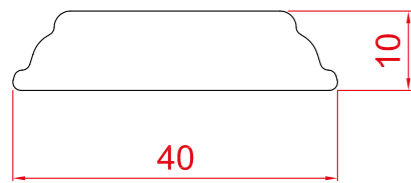
# Window cover strips



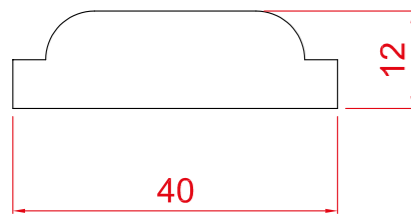
Angled 40x10 mm



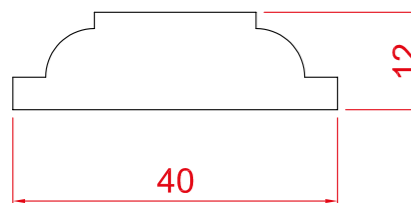
Rounded R3 40x12 mm



Retro 40x10 mm

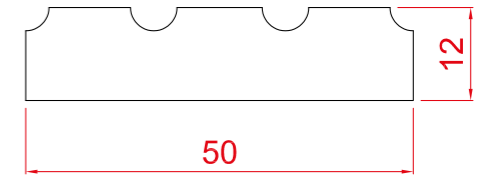


Roller 40x12 mm

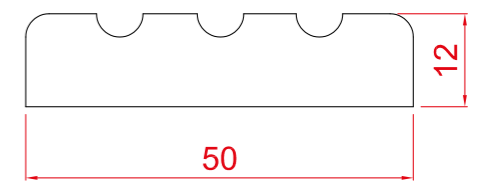


Roller Plus 40x12 mm

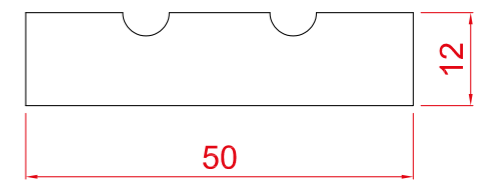
Concave R3-2 50x12 mm



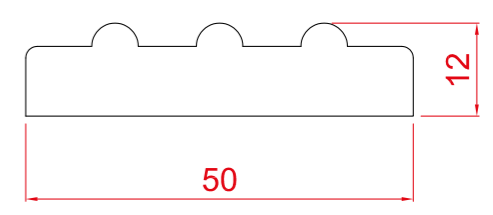
Rounded R3-3 50x12 mm



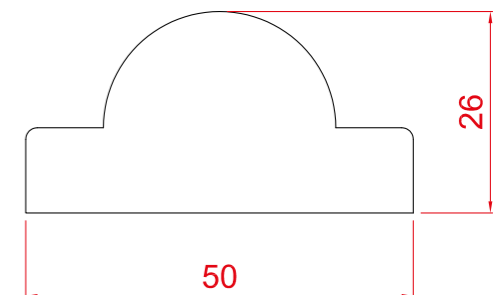
Straight R3-2 50x12 mm



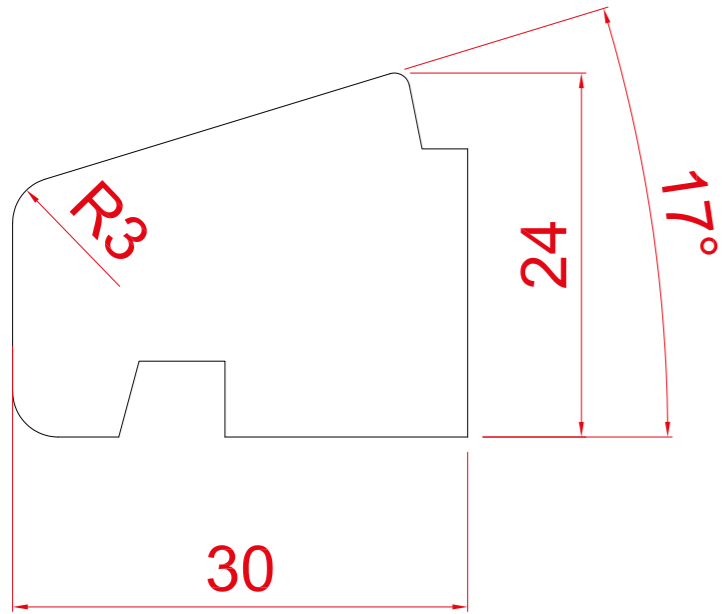
Convex R3-3 50x12 mm



Convex R15A 50x26 mm

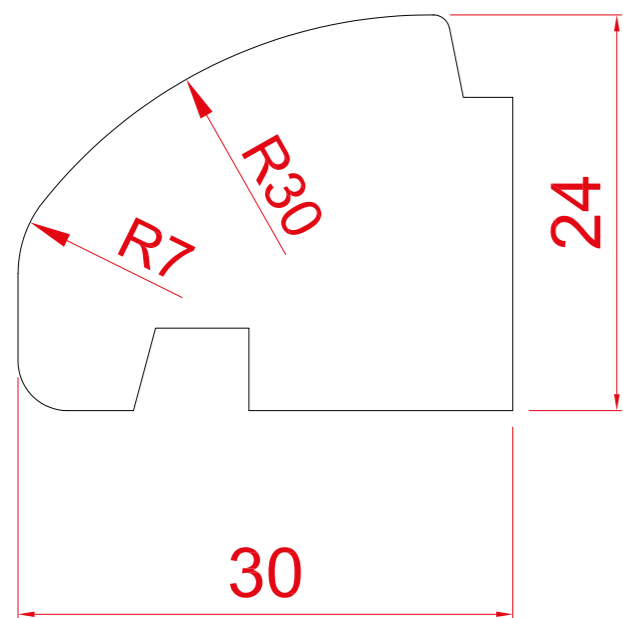
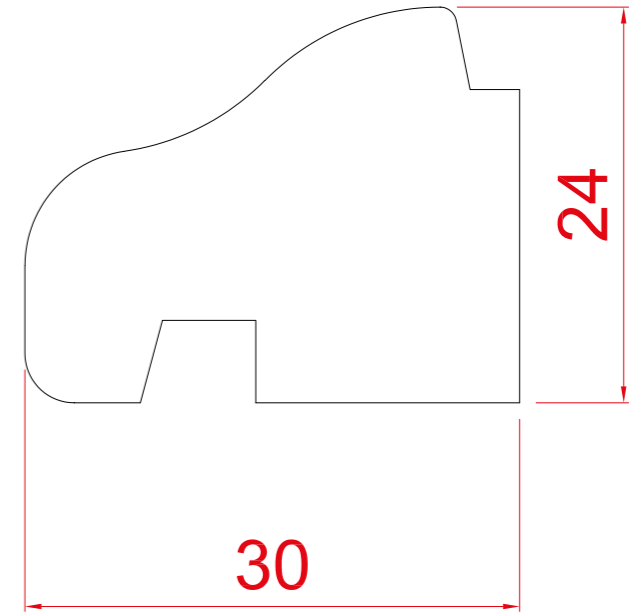


# Decorative drip grooves for Belgia systems



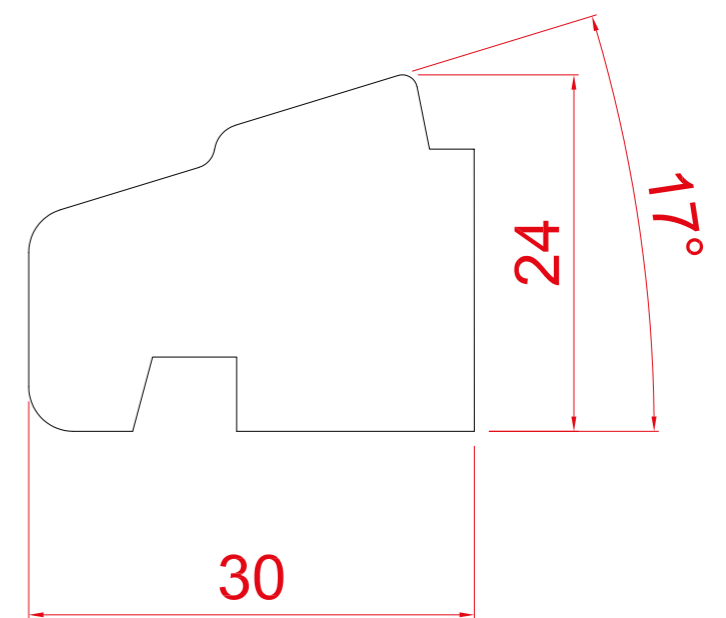
Drip Bead R3

Decorative Drip Bead

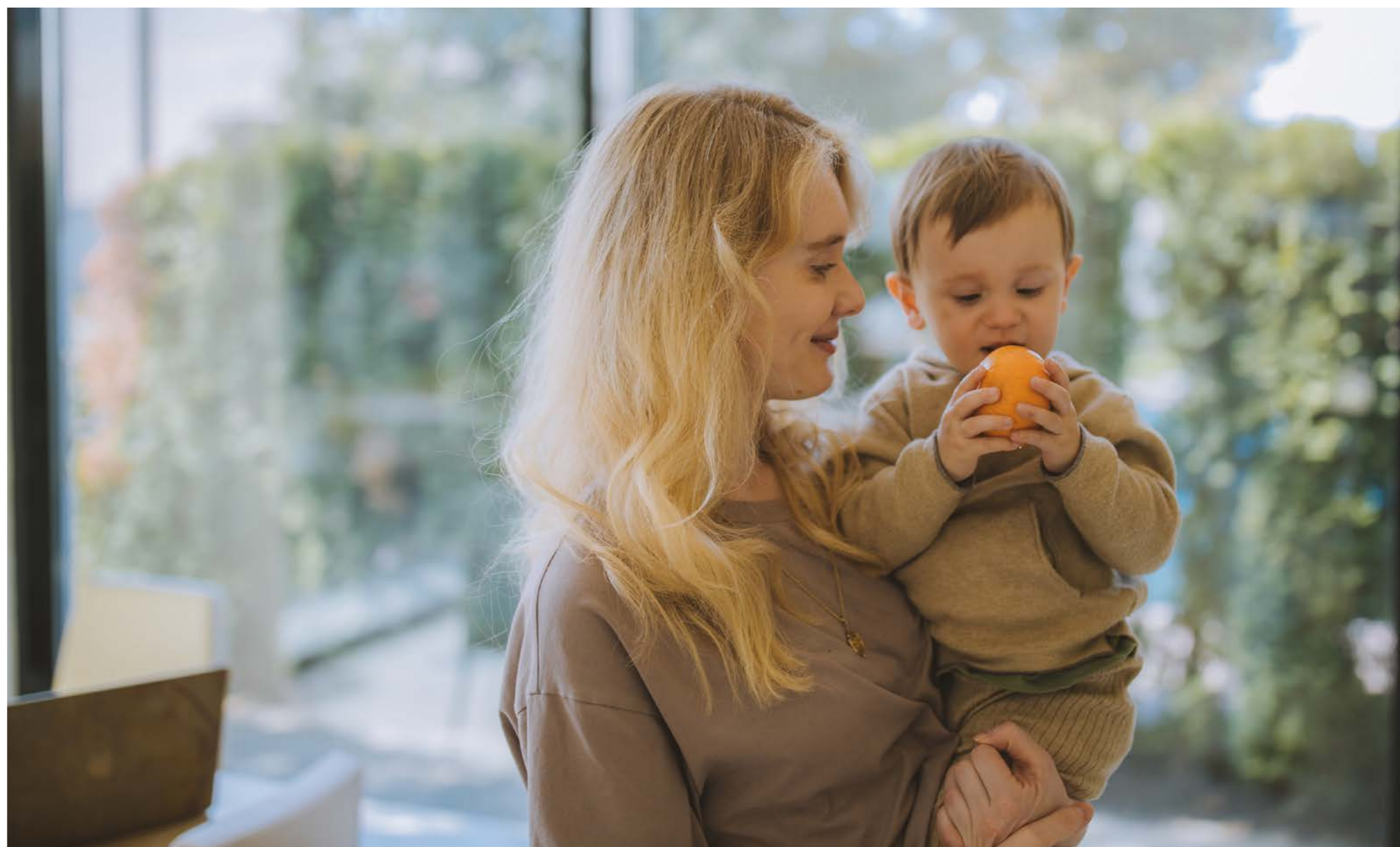
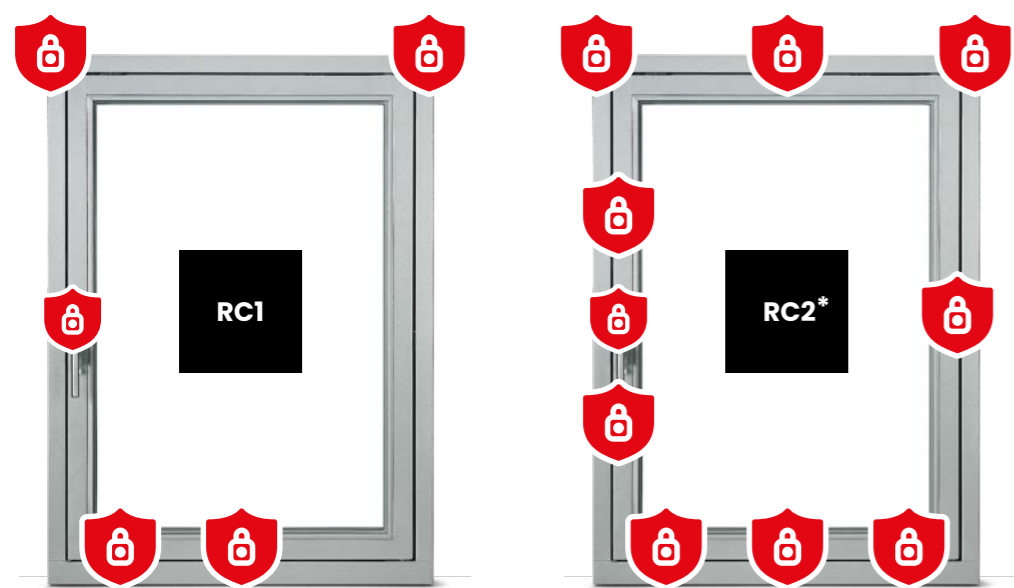


Drip Bead R30

Retro Drip Bead



## Security



Standard windows do not provide optimum protection against burglary. Their hardware and glazing do not ensure appropriate security during burglary attempts. This increases the risk of property theft in such houses.

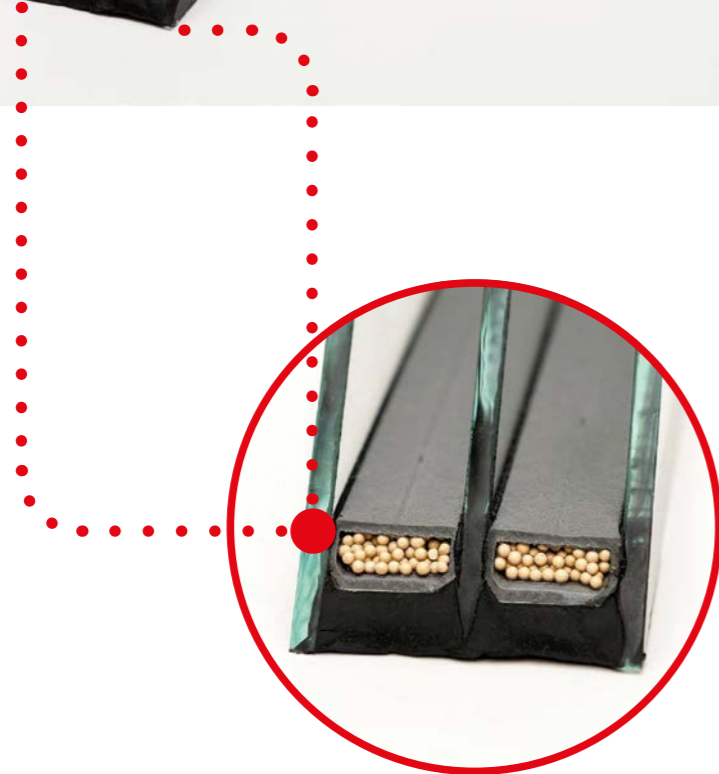
Nowadays, however, you can also buy secure windows, i.e., windows with increased burglary resistance. The level of security is indicated by resistance classes **RC**.

They have replaced the previous classes – WK. In the case of windows used in single-family houses, two classes are the most common, i.e., **RC1** and **RC2**.

\* the number of keeps depends on the size of the window

Security hardware rated to **RC1** and **RC2** ensures correct protection against burglary attempts made using force and tools. This makes it more difficult to get inside due to the number of mushroom keeps and a handle with a key and special laminated glass.

## Warm edge spacer



The **SWISSPACER** is one of the most important elements of an energy-efficient window. Insulating glass spacers seal the edges of insulating glass units and provide ideal thermal insulation.

Available colours:

Black  
RAL 9005

Dark brown  
RAL 8014

Light brown  
RAL 8003

Grey  
RAL 9023

Light grey  
RAL 7035

White  
RAL 9016

# Collection of handles

## Dublin

**NEW IN THE OFFER!**



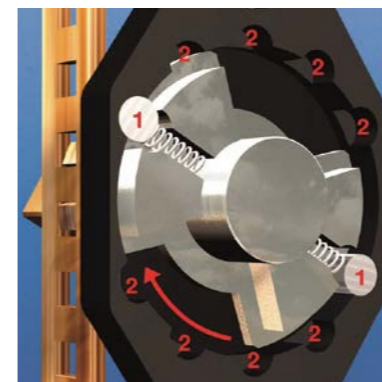
## Atlanta Secustik®



## Tokyo



The offer also includes Atlanta Secustik® handles with a button or a key.

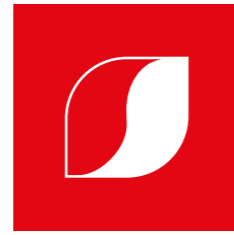


When you turn the Secustik® handle 180 degrees from the closed position to the tilt position, you will hear the self-locking mechanism with a precise click in different positions. This characteristic noise made by Secustik® handles is an extra touch to tell you your house is secure.

When you turn the handle, the window is closed with a precise click of spring-mounted pins and locking components **(1)** in special recesses inside the enclosure **(2)**.

The offer also includes Tokyo handles with a button or a key.

# STOLLAR window systems



**The house is an important part of everyone's life.**

This is where we spend most of our spare time, relaxing in the quiet of our cosy, well-lit space.

That is why we make every effort to ensure that our products satisfy the most demanding of tastes and are comfortable to use for all of our customers.

Our windows guarantee excellent comfort and transform the inside of your home into a space filled with radiance, elegance and warmth.





---

Years of experience have allowed us to assemble a team that professionally produces, assembles and sells our products.



---

Each person from our team cares about the comfort of work of both co-workers and clients.