



**20**

years of experience



**2000**

windows a day



**250+**

employees



# PVC Windows Catalogue

## Table of Contents

<b>PVC Windows</b>	<b>4</b>
Stollar Energo 82	6
Stollar Comfort 74	10
Stollar Slim Line 70	16
Comparison of PVC windows	20
<b>Full of choices, from any colour to any type!</b>	<b>22</b>
Available colours – Stollar Energo 82	24
Available colours – Stollar Comfort 74	26
Available colours – Stollar Slim Line 70	28
<b>Collection of handles</b>	<b>30</b>
Handles in the SecuForte® system	32
Handles in the Secustik® system	34
Handles locked by the key	36
Collection of handles	38
<b>Accessories and additions</b>	<b>42</b>
Ventilation	44
Ornaments	46
Internal muntins and external stuck-on muntins	48
Fittings	50
Safety	52
Warm edge spacer	54
V-Perfect welding	56
Cassonetto	58



# PVC Windows



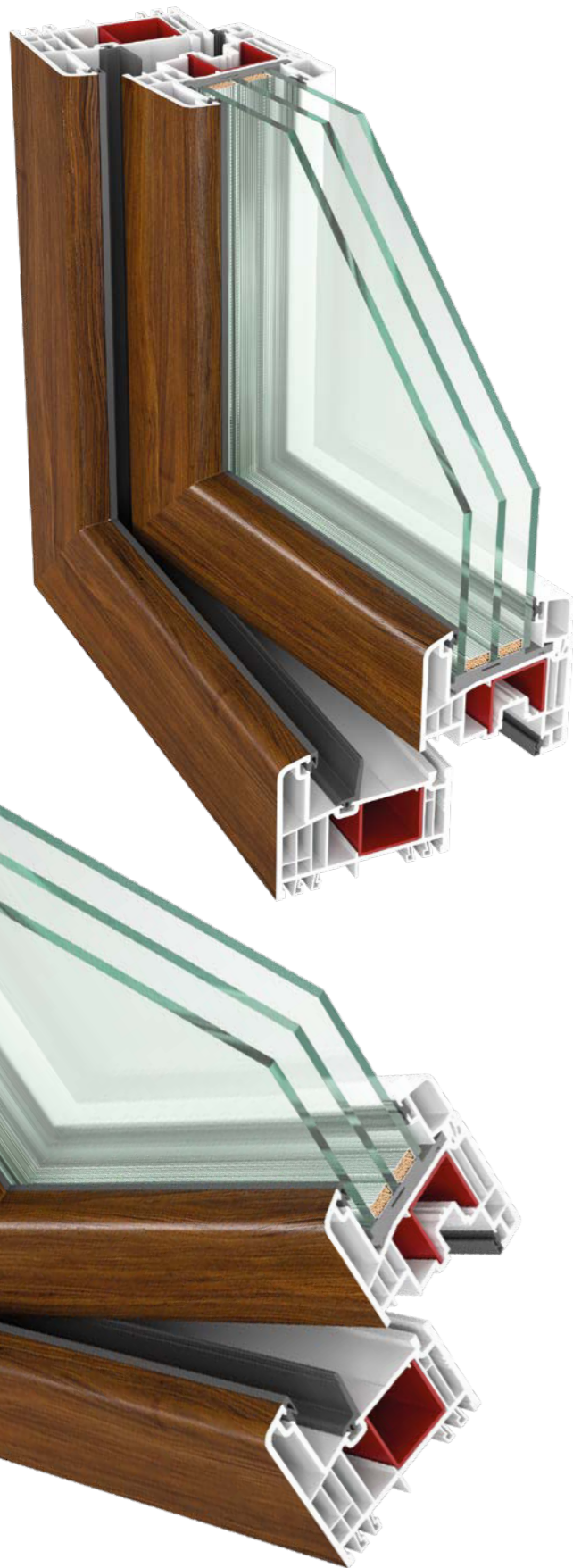
**Windows are one of the most important elements in our home.**

Properly selected, they give the desired character and become a showcase of the building.

Our windows combine a unique design, advanced technologies in the energy-saving and innovative functional solutions, providing comfort and safety.



## Stollar Energo 82



RC1N, RC2N,  
RC1, RC2



$U_g = 0,5 \text{ W/m}^2\text{K}$



$R_w = < 50 \text{ dB}$



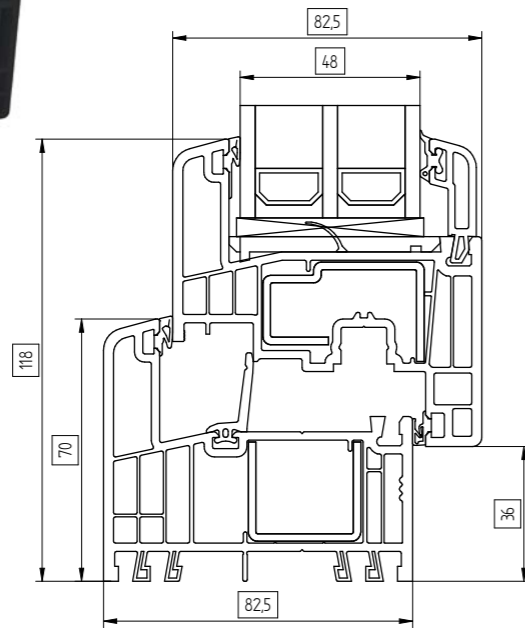
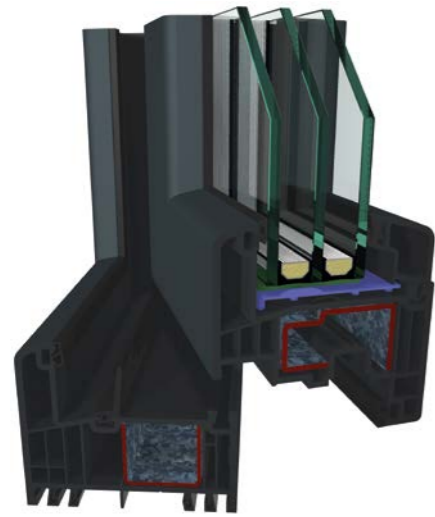
$U_w = > 0,77 \text{ W/m}^2\text{K}$



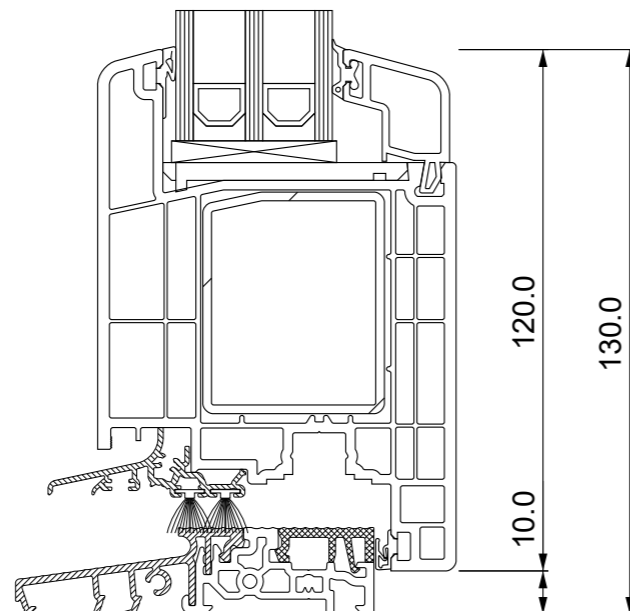
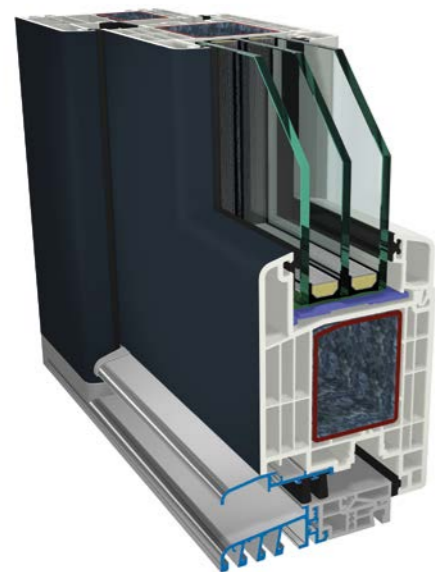
The **ENERGO system** is a product unique in its class with a profile depth of 82.5 mm. Its 6-chamber structure allows for very good thermal insulation properties ( $U_w = 0.77/\text{m}^2\text{K}$  for the reference window), which translates into a reduction in heating costs. It includes a central gasket and a thrust gasket in the form of three gaskets.

- ✓ 6 chambers in the frame
- ✓ 82 mm installation depth
- ✓ The possibility of using the STV method – paste the glass in the wing, to design larger constructions

**Energio system with a triple glazing**



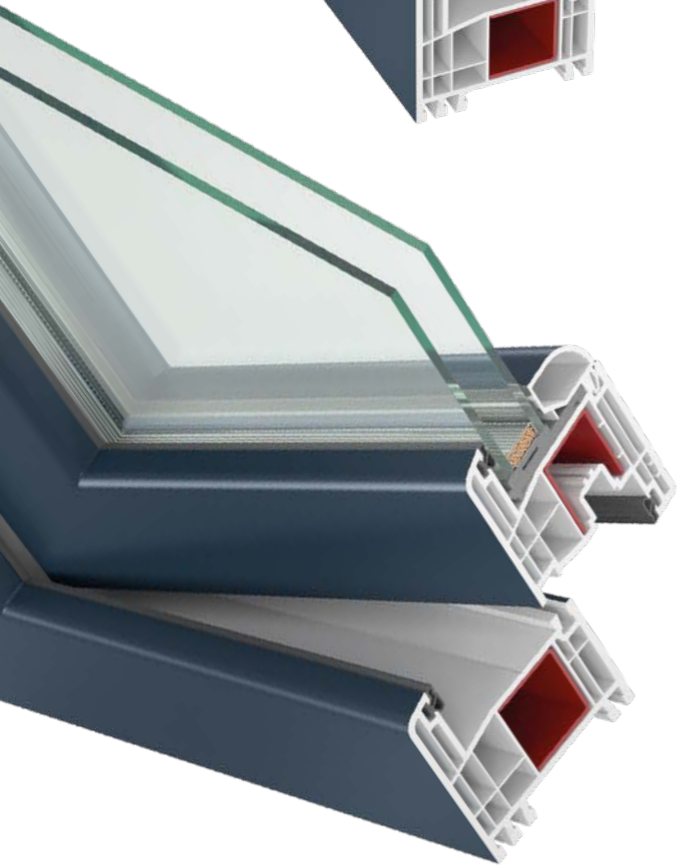
**Energio system – door with an aluminum threshold**



**The STV® technology** (dry static glazing) consists in gluing the glass and the leaf profile with double-sided adhesive tape while maintaining traditional blocking.

As a result of gluing the glass with the leaf profile, the statics of the glass pane is transferred to the leaf and thus the entire system becomes more stable.

## Stollar Comfort 74



RC1N, RC2N,  
RC1, RC2



$U_g = 1,1 \text{ W/m}^2\text{K}$   
 $U_g = 0,6 \text{ W/m}^2\text{K}$






$R_w = < 50 \text{ dB}$



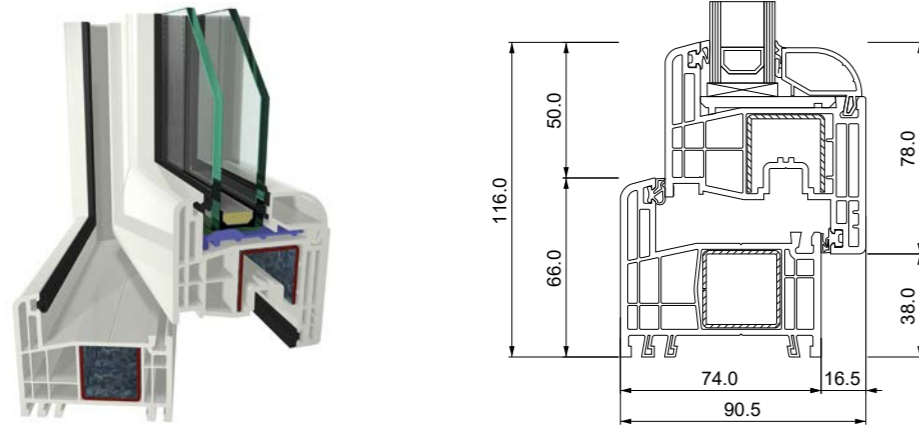
$U_w \Rightarrow 0,86$   
 $\text{W/m}^2\text{K}$



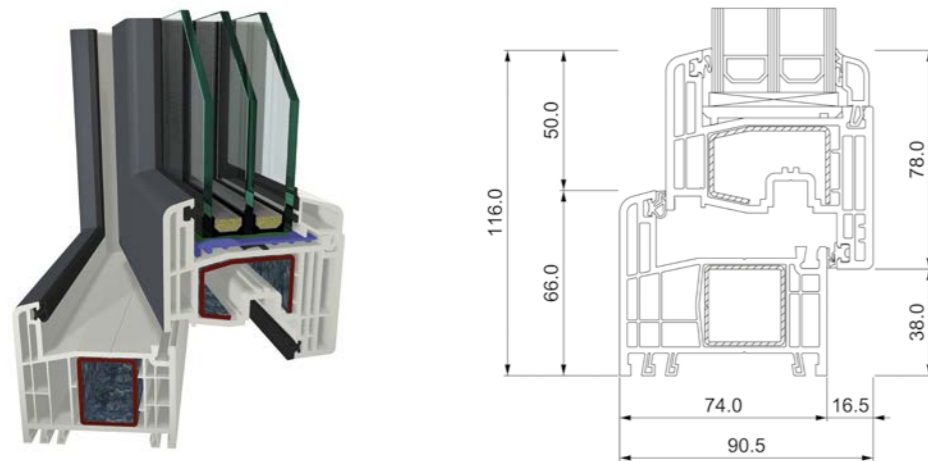
When designing the **Stollar Comfort 74 system**, a lot of attention was paid to the issue of statics. A carefully planned, spacious main chamber is adapted to the assembly of large steel reinforcements.

-  6 chambers in the frame
-  74 mm installation depth
-  2 seals around the circumference

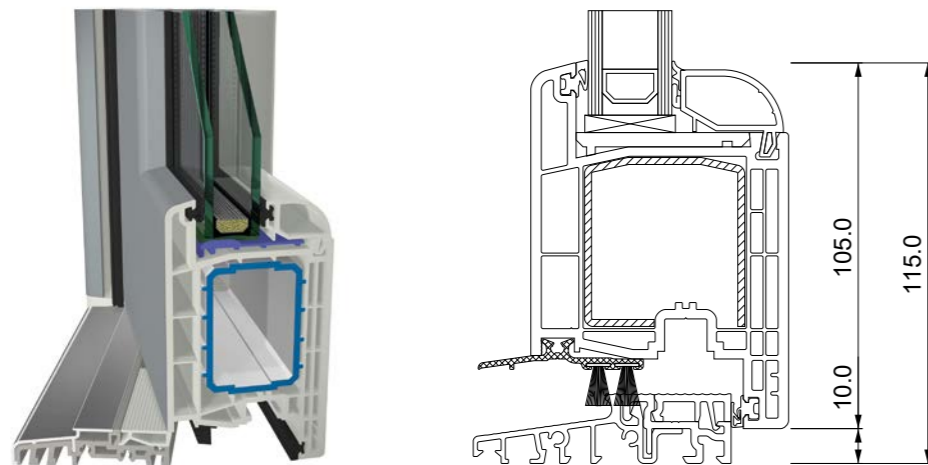
### Comfort system with a double glazing



### Comfort system with a triple glazing

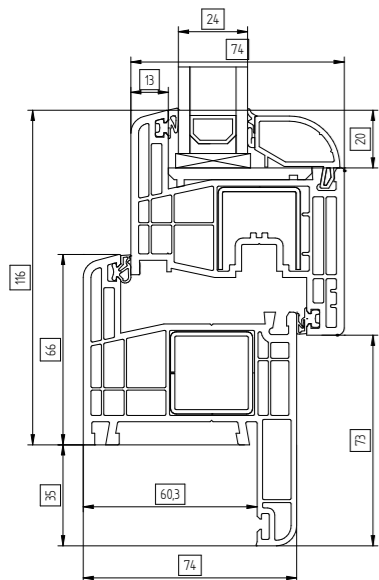
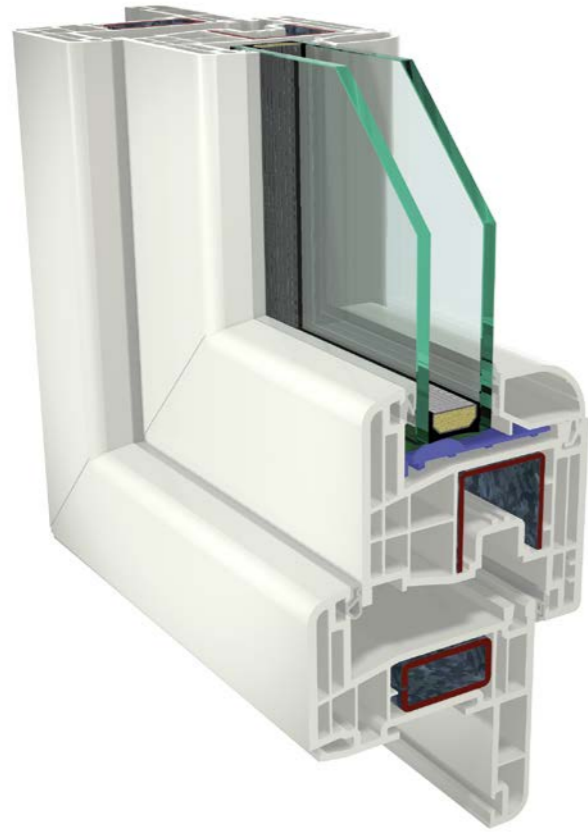


### Comfort system – doors with an aluminum threshold

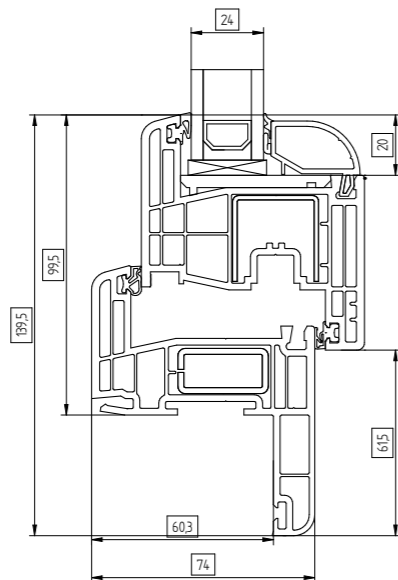


- ✓ Thermal insulation due to six chambers in the frame and sash
- ✓ Easy maintenance thanks to the large and smooth rebate surface
- ✓ The possibility of using the STV method – paste the glass in the wing, to design larger constructions

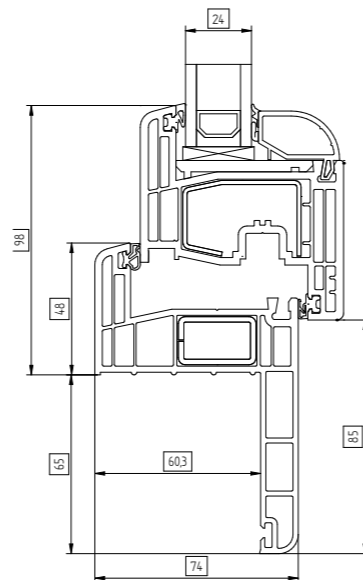
**System Comfort with double glazing  
(renovation profile)**



35 mm



40 mm



65 mm

Renovation profiles are an ideal solution used to install windows without the need to disassemble the old frames. Such a solution perfectly reduces the risk of damage to the building facade, while speeding up the time to replace windows. The renovation frames are additionally lowered so that the glazing area is not significantly reduced. It is available in the double and triple glazing of the Comfort System.



# Stollar Slim Line 70



U<sub>g</sub> = 1,1 W/m<sup>2</sup>K  
U<sub>g</sub> = 0,6 W/m<sup>2</sup>K



R<sub>w</sub> =< 50 dB



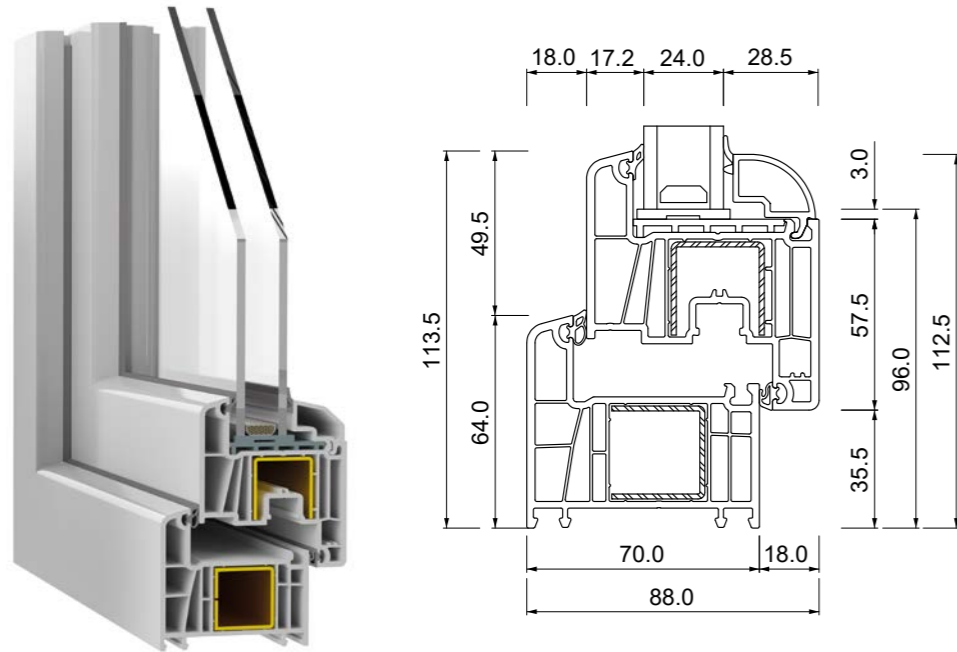
U<sub>w</sub> => 0,9  
W/m<sup>2</sup>K



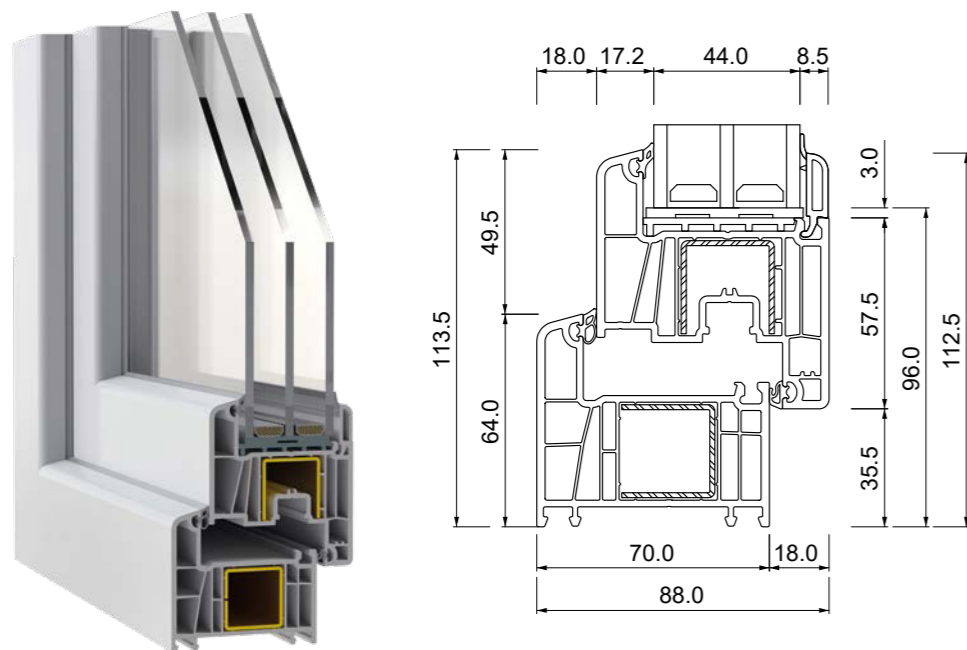
The **SLIM LINE** is a product designed based on proven design solutions. Large glazing is not a problem. Windows with an extraordinary white coating are the best option in their price category.

- ✓ 6 chambers in the frame
- ✓ 70 mm installation depth
- ✓ 2 seals around the circumference

### Slim Line system with a double glazing



### Slim Line system with a triple glazing



Profile has a 6-chambers,  
and its depth is 70 mm.  
This system meets all the standards for  
tightness and thermal insulation.

# Comparison of PVC windows



Type of the window	Stollar Energo 82	Stollar Comfort 74	Stollar Slim Line 70	
Number of chambers in the frame	6	6	6	
Installation depth	82 mm	74 mm	70 mm	
The gaskets around the perimeter	3	2	2	
Anti-theft class	RC1N, RC2N, RC1, RC2	RC1N, RC2N, RC1, RC2	—	
Strengthening the construction	closed steel in the frame	closed steel in the frame	closed steel in the frame	
Glazing set standard	triple glazing ( $U_g = 0,5 \text{ W/m}^2\text{K}$ )	double glazing ( $U_g = 1,1 \text{ W/m}^2\text{K}$ ) triple glazing ( $U_g = 0,6 \text{ W/m}^2\text{K}$ )	double glazing ( $U_g = 1,1 \text{ W/m}^2\text{K}$ ) triple glazing ( $U_g = 0,6 \text{ W/m}^2\text{K}$ )	
Heat transfer coefficient	$U_w = 0,77 \text{ W/m}^2\text{K}$	$U_w = 0,86 \text{ W/m}^2\text{K}$	$U_w = 0,9 \text{ W/m}^2\text{K}$	
The fitting is standard	A espagnolette with a handle misplacement blockade and a sash lift	✓	✓	✓
	Rotary rollers KoPIBo	✓	✓	✓
	Bottom ramp in OPEN & TILT sashes	✓	✓	✓
	3D Hinge	✓	✓	✓

# Full of choices, from any colour to any type!



## Our eyes can see different type of colours.

It is natural that we want to find those colours in our daily routine.

For this reason, we are constantly enriching our offer with newer and newer colors.

All this to give natural and saturated colors, that makes our windows more stylish and liveliness.



# Available colours – Stollar Energo 82

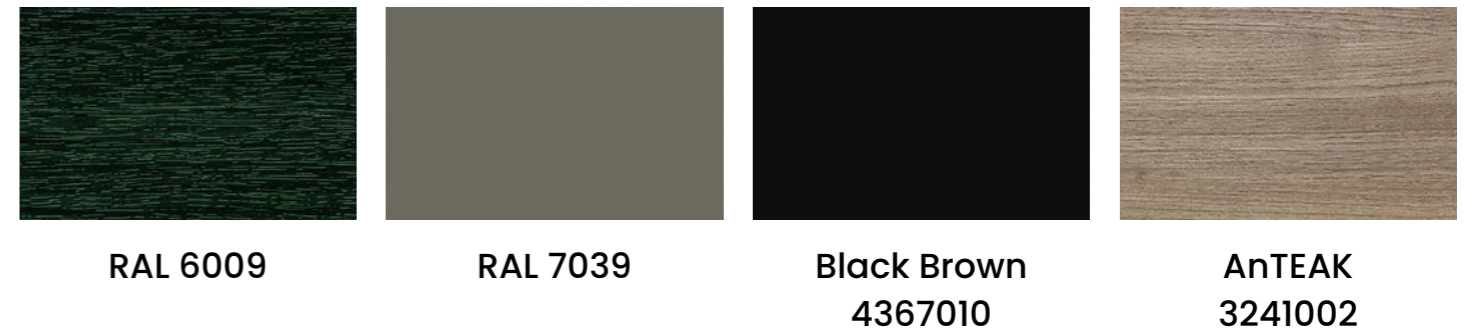
## Acrycolor



## Non-standard veneers



## RealWood veneers

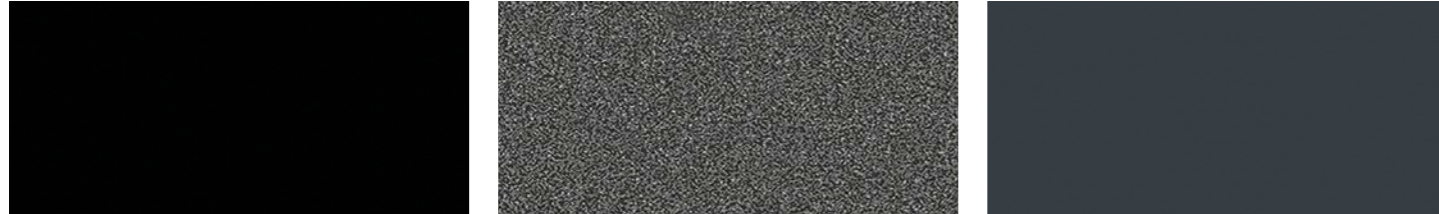


## Standard veneers



# Available colours – Stollar Comfort 74

## Acrycolor



RAL 9005

DB 703

RAL 7016

## Non-standard veneers



Cherry  
4252043

Winchester XA  
49240

Mountain Pine

Metbrush Brass  
4361007

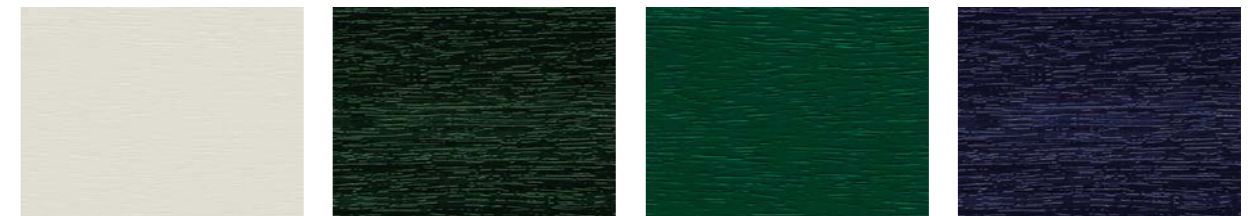


Metbrush Silver  
4361002

RAL 7039

Siena PN Noce  
49237

Rustic Oak  
3156003



RAL 9010

RAL 6009

RAL 6005

RAL 5011

## Standard veneers



Mahogany  
9.2065

Golden Oak  
9.2178

RAL 7016

Hazelnut  
9.2178



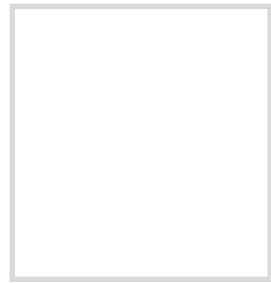
Light Oak  
3118076

Douglas  
3069037

RAL 5007

## Available colours – Stollar Slim Line 70

### Standard veneers



White



Golden Oak



Dark Oak



Hazelnut



Anthracite



# Collection of handles





## Handles in the SecuForte® system

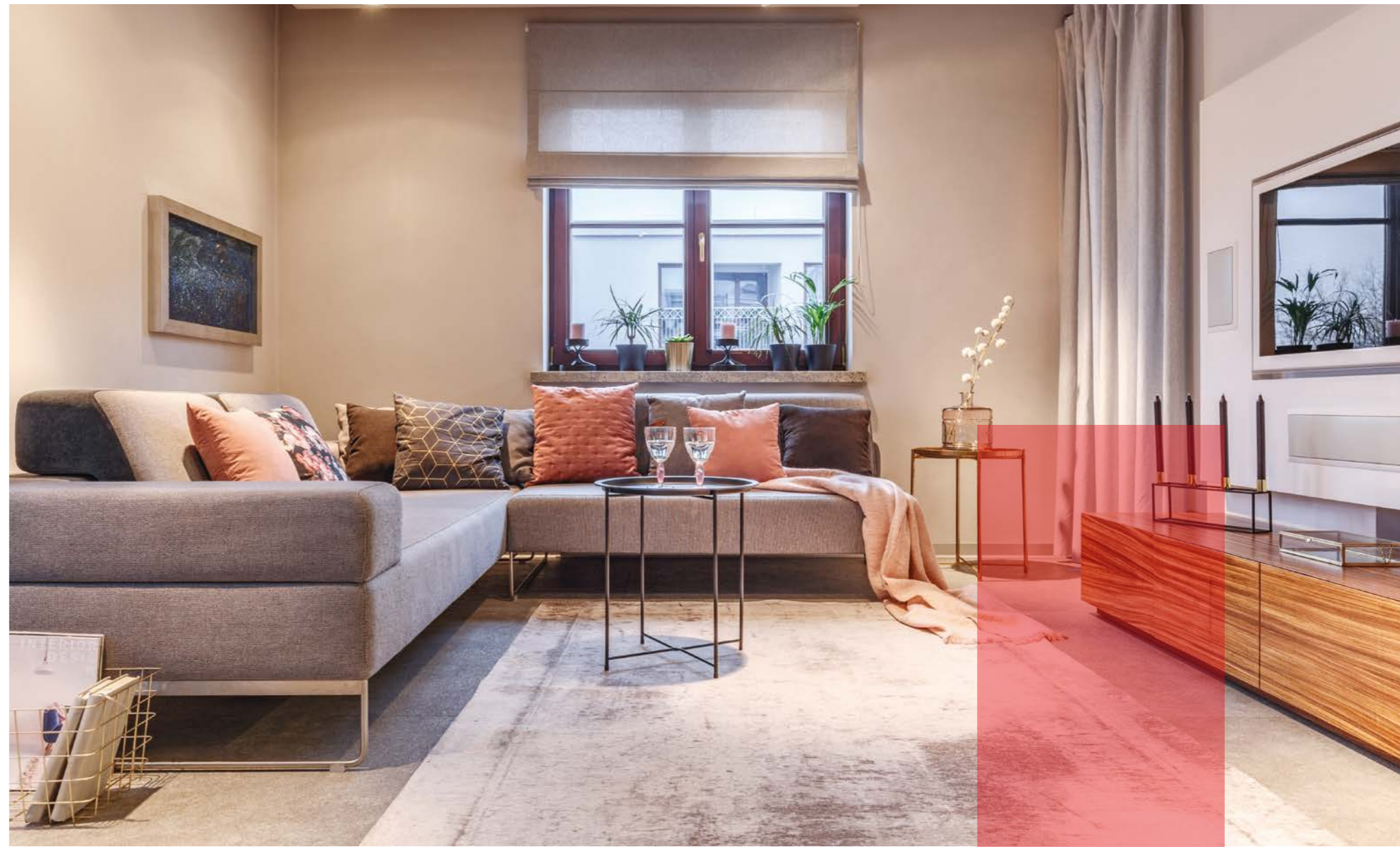
### Hamburg SecuForte®

Available colours:



### Toulon SecuForte®

Available colours:



**SecuForte®** is one of the safest handles on the market, because the handle and spindle are not connected with each other as in classic solutions, which gives additional anti-burglary properties.

To open the window, push the handle towards the rosette **(1)**, then rotate **(2)**.



# Handles in the Secustik® system

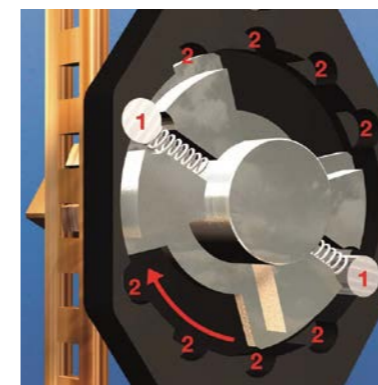
## Toulon Secustik®

Available colours:



## Atlanta Secustik®

Available colours:



Secustik® turning the handle through 180° from the closed position to tilt causes audible snap into the locking mechanism selfprotected precision clique in different positions.

This typical Secustik® sound adds an audible touch of safety.

Turning the handle causes audible snap with precision clique, mounted on the spring bolts securing **(1)** in special grooves in the case **(2)**.

## Handles locked by the key

### Hamburg SecuForte®

Available colours:



### Toulon SecuForte®

Available colours:



Window handle **Hamburg SecuForte®** adjusts the length of the pin to a depth of window profile. This is possible because the compression spring is placed in the middle of the handle at the pin. Because of that spring mechanism the pin stays static pushed, this ensuring proper fit.

The window handle covers depth differences up to 10mm and so it can be used for windows with different profile cross-sections.



In the case of the **Toulon SecuForte®** handle with a double function, turning is only possible when the button locking cylinder is unlocked and pressed.

This means that the handle can be turned only after opening the lock cylinder by pressing a button. If the cylinder is not pressed, the handle will be locked in the closed position 0° and tilted 180°.

## Collection of handles

### Tokyo



### Freestyle



Special handles play a special role in sliding systems and in outward opening windows, where they enable optimal, comfortable operation.



**Dublin**

Optionally with a key/button

Available colours:



Sandblasted:



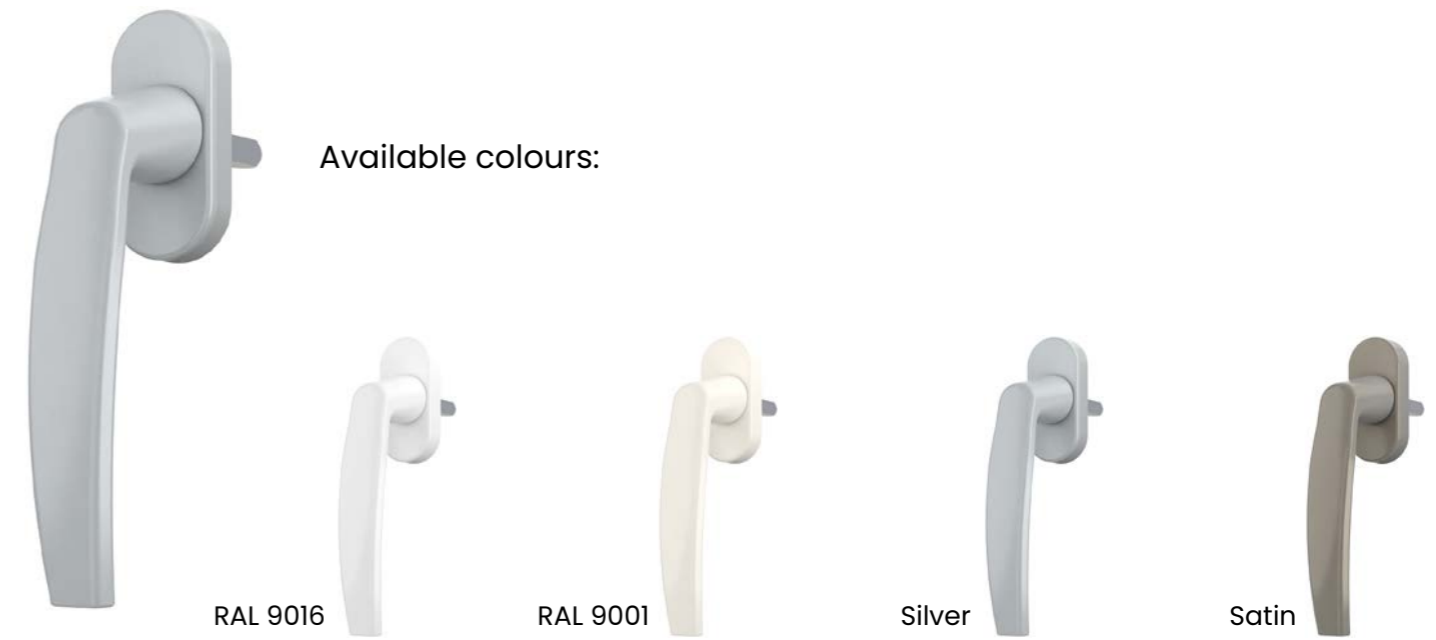
Brushed:



**ALU**

Optionally with a key/button

Available colours:



# Accessories and additions



# Ventilation



Ventilators installed in the sash of the window, are part of the ventilation system and ensure proper supply of fresh air into our apartment.

Everyday household activities result in the precipitation of water vapor which leads to an increase in internal moisture ratio. Excessive humidity has a very negative impact on our health and on the building itself.

# Ornaments\*



Niagara colorless



Master Care colorless



Flutes colorless



Flutes colorless sandblasted



Desczyk bezbrawny



Delta colorless sandblasted



Delta colorless not sandblasted



Crizet colorless



Cora colorless



Crepil colorless



Chinchila colorless



Bamboo colorless



The solution that allows to obtain the original appearance of windows is the use of ornamental panes. Due to many functional and decorative values, ornaments have a very wide range of applications.

They are successfully used as glazing elements for partition walls in places such as bathrooms or kitchens. A wide range of patterns allows them to be used in housing and industrial purposes.

\* the possibility of mounting ornaments in a vertical and horizontal position



# Internal muntins and external stuck-on muntins

## Internal muntins

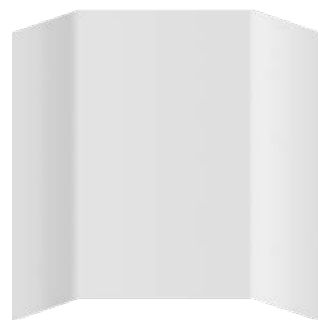
It is a classic proposal with an extraordinary presence. The muntins are mounted in between glazing spacer which is part of the glazing unit. Thanks to this solution, dust or moisture will not have access. Which means that they do not need to be washed or maintained.

## External stuck-on muntins

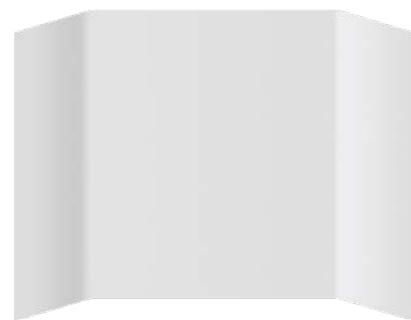
In this case, the muntins are glued directly to the glass. They are made of the same material as the window, creating a visually integral product.



Available thicknesses:  
(scale 1:1)



23 mm

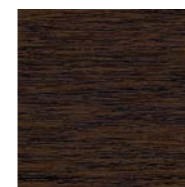


33 mm

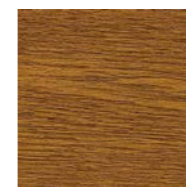


43 mm

Available colours::



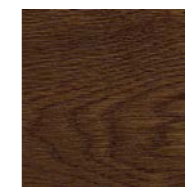
Dark Oak



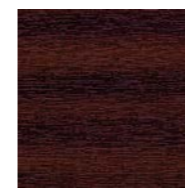
Golden Oak



Gold



Hazelnut



Mahogany



White



Brown

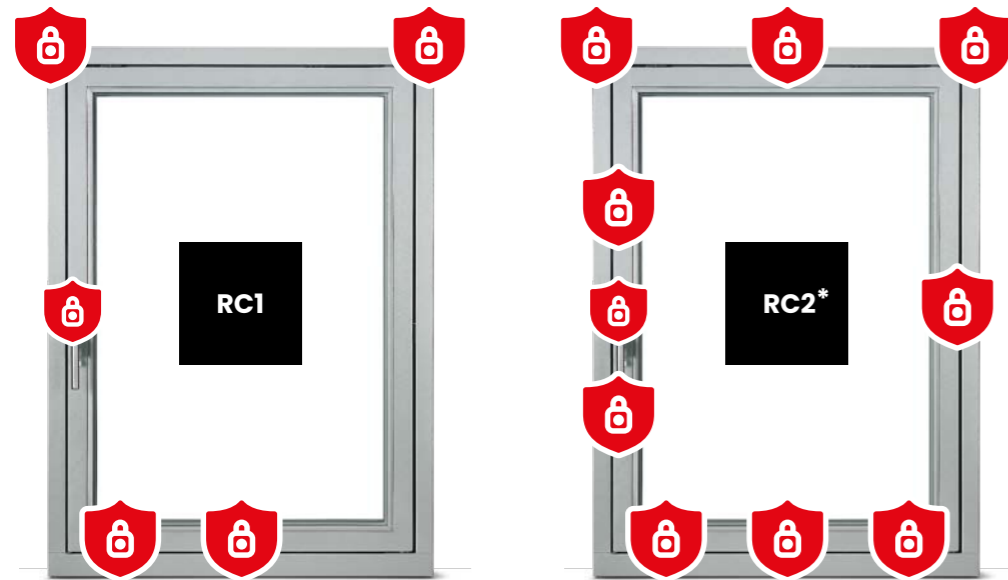
## Fittings



**SIENIA** fittings make it easier to open the sash and provide greater security.

Optionally, the windows can be equipped with hidden hinges **SIENIA AXSENT 24** with self-adjusting rollers KoPiBo reducing friction during closing the window.

## Safety



Standard window joinery does not provide the optimal level of protection against burglary.

The fittings and glass used in the windows do not provide adequate security when attempted to break through by burglars. As a result, the risk of robbing a property is higher.

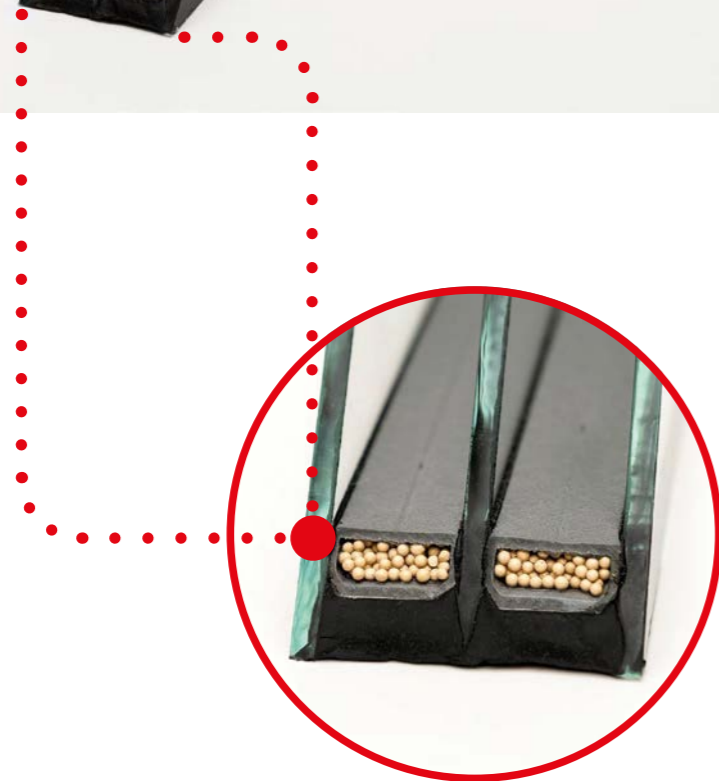
Today, we can also find safe windows with increased burglary resistance. To define this level of safety, resistance classes must be marked as **RC**.

RC class replaced the previously existing class WK. In the case of joinery used in single-family housing, we usually deal with two classes **RC1** and **RC2**.

\* Number of locking hook-points depending on the size of the window

Fitting burglar resistance class **RC1** and **RC2** will provide proper protection against burglary. This makes it difficult to get inside through the appropriate number of anti-theft catches and the use of a handle with a key and a special laminated glass.

## Warm edge spacer

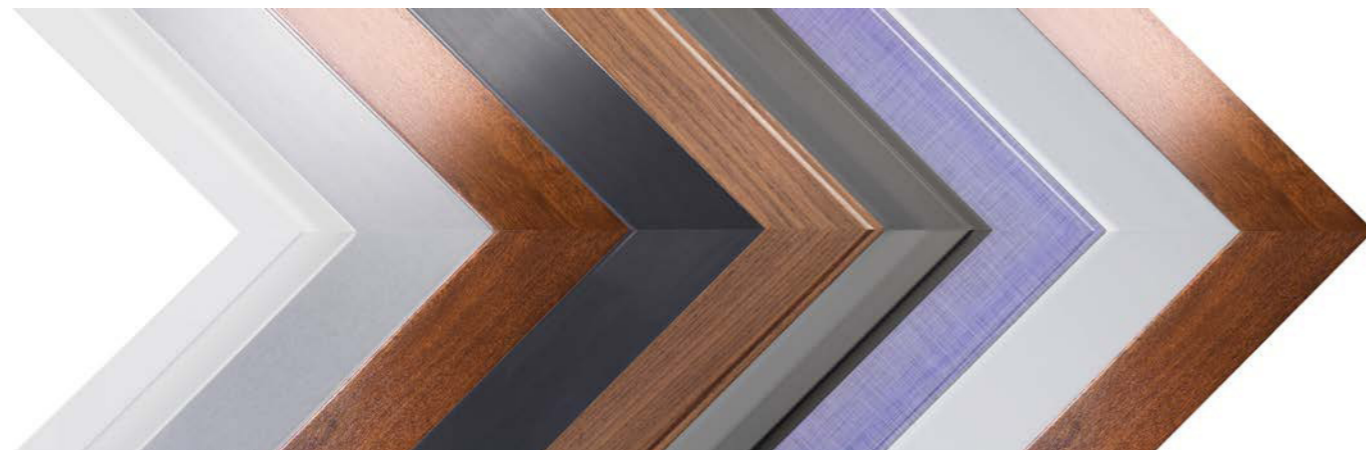
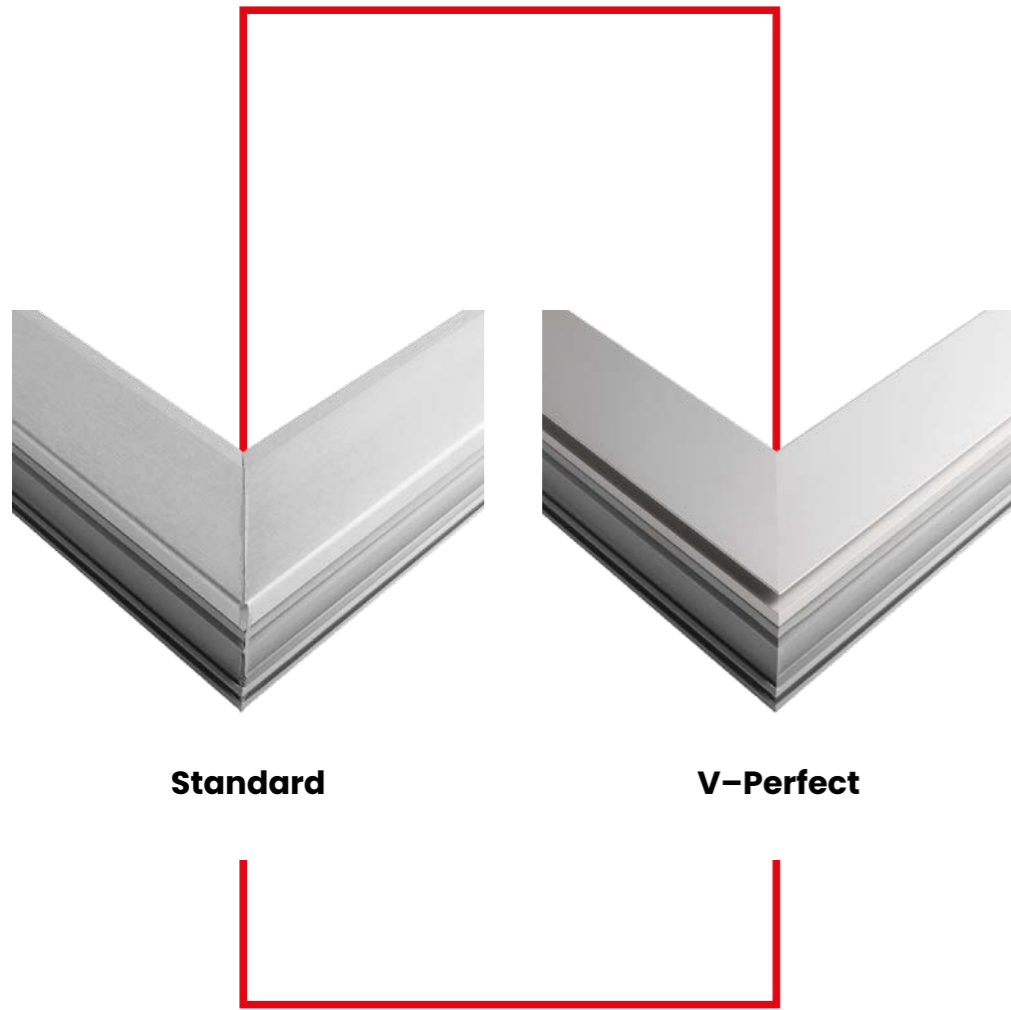


The **TGI-Spacer** is a combination of great parameters and aesthetics.

They are made of plastic combined with a thin sheet of stainless steel.

The used material has a very low thermal conductivity, thus decreasing the  $U_w$  value in whole construction.

# V-Perfect welding



Innovative and stylish technology of connecting profiles that using all of it potential.

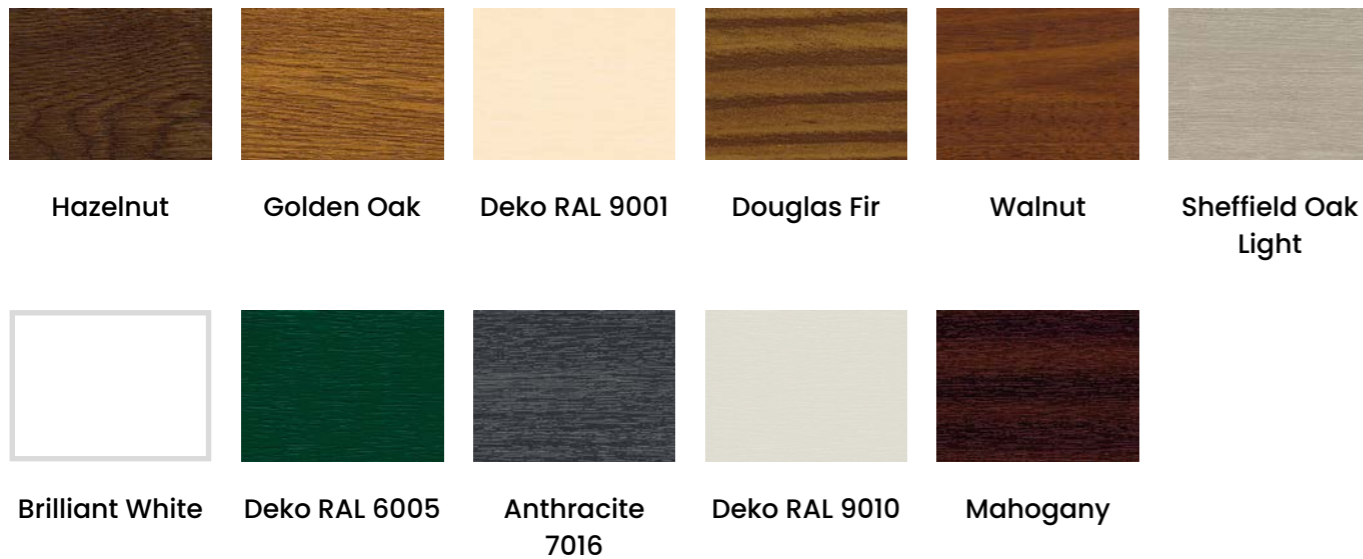
Thanks to this, the weldings are on a completely different level.

It introduces our PVC windows to the path of new architectural possibilities.

# Cassonetto



Available colours:

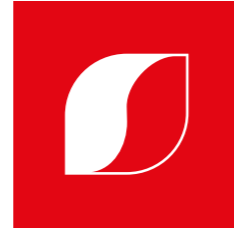


The **Cassonetto** system is a modern box made of special PVC profiles.

Perfectly replaces older wooden or aluminum models.

Modern solutions are characterized by durability, functionality and aesthetics.

# STOLLAR Window Systems



## The home has an important place in the human heart.

Everyone spends most of their free time there, relaxing in the comfort of a properly lighted and pleasant interior.

That is why we make every effort to ensure that our products satisfy the most demanding tastes and care for the convenience of use of all our customers.

Our windows guarantee high comfort and will transform any interior into a house full of splendor, warmth and elegance.





---

Many years of experience in PVC joinery allowed us to complete a team that professionally deals with the production, assembly and sale of our products.



---

Every person on our team cares about the comfort of both colleagues and customers.